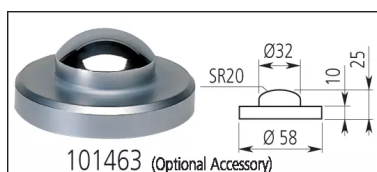
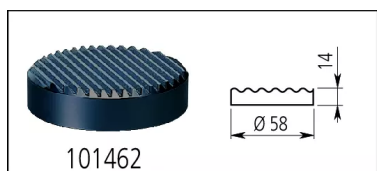
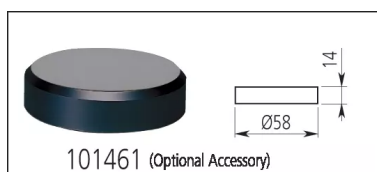
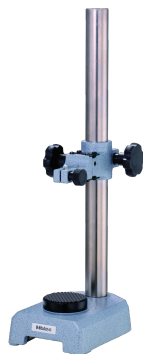


# Gauge Stand with Hardened Steel Anvil

Item number: 519-109-10

## Images



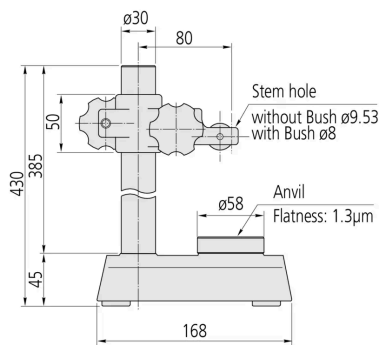
## Description

Mitutoyo Transfer Stands are designed for comparison measurements of size using a dial indicator or Digimatic indicator.

## Features

<b>Effective table dimensions:</b>	Ø 58 mm
<b>Column Ø:</b>	30 mm
<b>Base size :</b>	168 x 110 mm
<b>Max. measurement height:</b>	318 mm
<b>Measuring table:</b>	Serrated (101462)
<b>Fine adjustment:</b>	1 mm
<b>Stem hole ø:</b>	ø 3/8" / <b>9.53 mm</b> , 8 mm with bush (standard accessory)
<b>Perpendicularity table-stem hole:</b>	0,4/100 mm
<b>Table flatness:</b>	1,3 µm
<b>Delivered:</b>	In a cardboard box, with a serrated anvil
<b>Mass:</b>	6 kg

## Dimensions



## Accessories

### Optional accessories:



### Flat Anvil for Gauge Stand

Ø58mm

Art No. 101461

Suggested retail price: 89.00 €\*



### Convex Anvil for Gauge Stand

Ø58mm

Art No. 101463

Suggested retail price: 126.00 €\*

### Standard accessories:



### Serrated Anvil for Gauge Stand

Ø58mm

Art No. 101462

Suggested retail price: 92.00 €\*



## Stem Bush for Gauge Stand

9,53mm to 8mm

Art No. 21JAA316

Suggested retail price: 37.30 €\*  

---