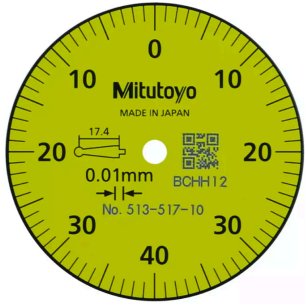


Dial Test Indicator, Pocket Type

Item number: 513-517-10H

[Images](#)



Description

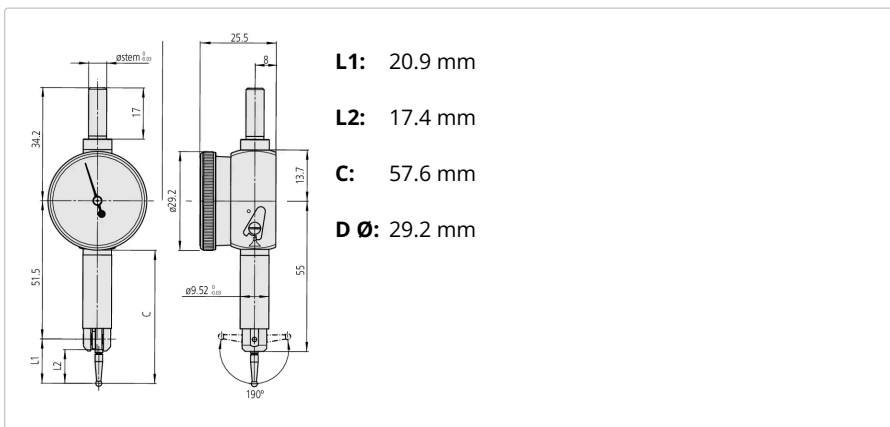
This is a small type Dial Test Indicator (Lever Type) which offers you the following benefits:

- Reversible measuring direction (clutch type)
- Jeweled bearings assure higher sensitivity and accuracy.

Features

Digital/Analog:	Analog
Inch-Metric:	Metric
Delivered:	In a box with stem $\varnothing 6$ mm, stylus $\varnothing 2$ mm
Range:	0.8 mm
Dial reading:	0-40-0
Graduation:	0.01 mm
H MPE (Hysteresis):	3 mm
MPE any 10 scale divisions:	5 μ m
MPE any 1/2 revolution:	6 μ m
MPE measuring range:	8 μ m
R MPE (Repeatability):	3 μ m
Measuring force:	$\leq 0,3$ N
Carbide stylus tip $\varnothing 2$ mm No.:	103006
Contact point:	Thread M 1.7 x 0.35
Remarks:	Basic set

Dimensions



Accessories

Optional accessories:

Limit Hands (Green) 2 pcs.
Dial Indicator Series 1, Test Indicator
Art No. 21AAB363
Price on application

Standard accessories:



Stem for Serie 513

D= 6mm
Art No. 102389
Suggested retail price: 11.00 €*



Stylus for Serie 513

D= 2mm, 17,4mm Length, Carbide
Art No. 103006
Suggested retail price: 21.00 €*



Spanner R=7,3/4,5mm

Micrometer
Art No. 301336
Suggested retail price: 7.00 €*