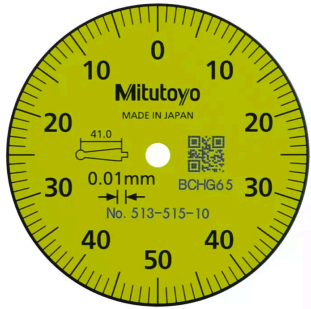


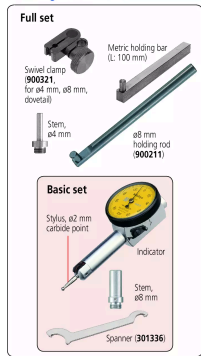
Dial Test Indicator, Pocket Type

Item number: 513-515-10E

Images



Set Configuration: Metric



Description

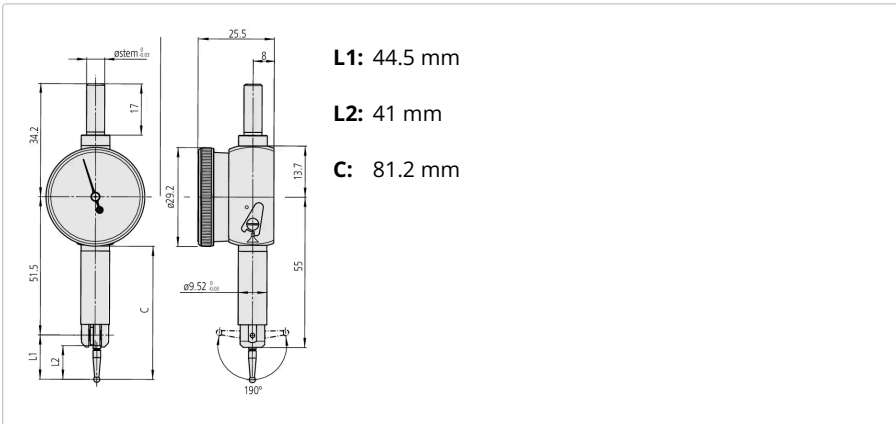
This is a small type Dial Test Indicator (Lever Type) which offers you the following benefits:

- Reversible measuring direction (clutch type)
- Jeweled bearings assure higher sensitivity and accuracy.

Features

Digital/Analog:	Analog
Inch-Metric:	Metric
Delivered:	In a box with stem ø8 mm, stylus ø2 mm
Range:	1 mm
Graduation:	0.01 mm
H MPE (Hysteresis):	4 mm
MPE any 10 scale divisions:	5 µm
MPE any 1/2 revolution:	8 µm
MPE measuring range:	10 µm
R MPE (Repeatability):	3 µm
Measuring force:	≤ 0,3 N
Carbide stylus tip ø2 mm No.:	136013
Contact point:	Thread M 1.7 x 0.35
Remarks:	Basic set

Dimensions



Accessories

Optional accessories:



Limit Hands (Green) 2 pcs.

Dial Indicator Series 1, Test Indicator

Art No. 21AAB363

Price on application

Standard accessories:



Stem for Serie 513

D= 8mm

Art No. 102822

Suggested retail price: 12.00 €*



Stylus for Serie 513

D= 2mm, 41mm Length, Carbide

Art No. 136013

Suggested retail price: 18.00 €*



Spanner R=7,3/4,5mm

Micrometer

Art No. 301336

Suggested retail price: 7.00 €*