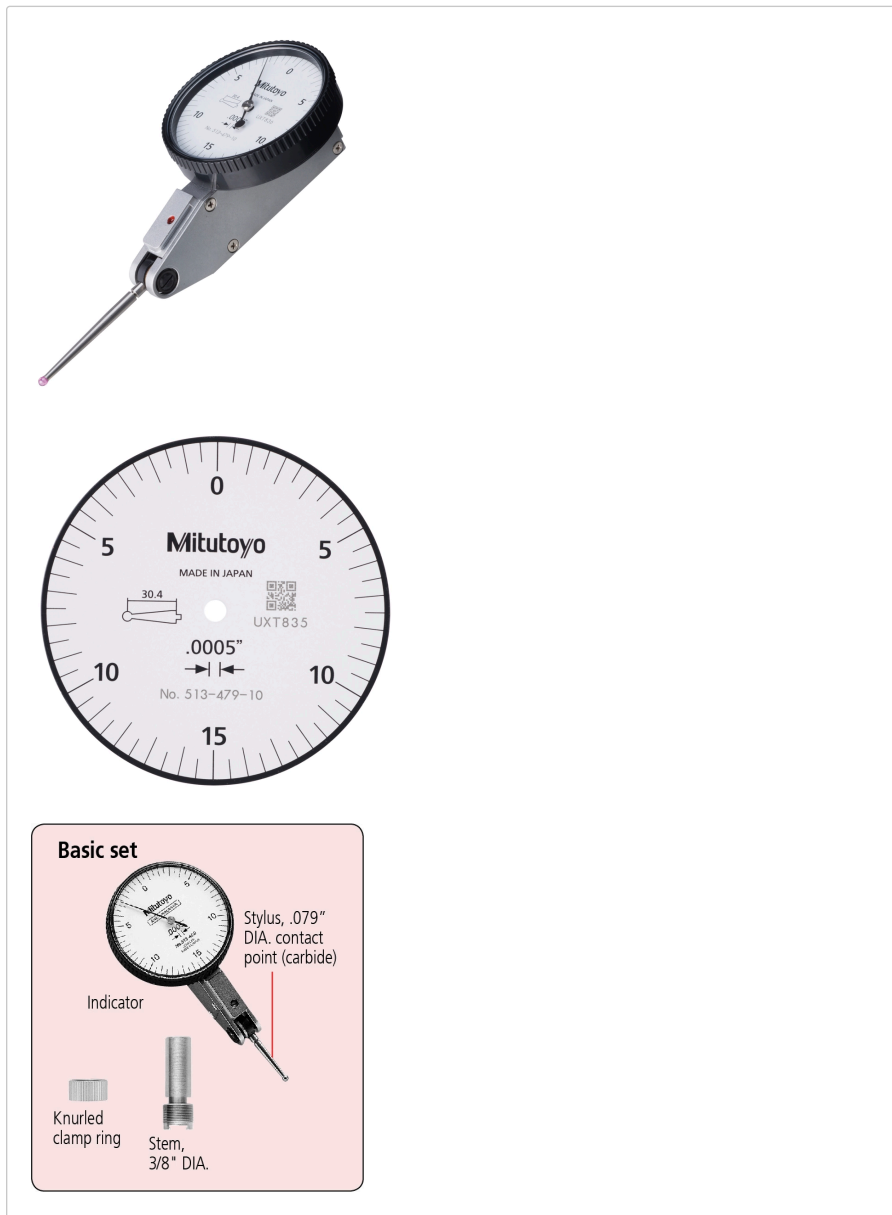


Dial Test Indicator, Horiz., Ruby Sty.

Item number: 513-479-10E

Images



Description

This is a Dial Test Indicator (Lever Type) which offers you the following benefits:

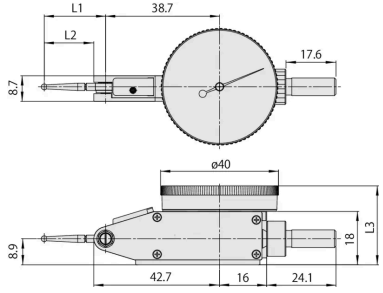
- Drastically enhanced durability, sensitivity and visibility.
- Glare-free flat crystal face allows easy reading of graduations.
- O-ring seal on the bezel has the effect of providing smooth rotation and prevents dust and oil from penetrating through to the dial face.
- The stylus length is on the dial face to reorder a replacement
- Multi-layer coatings on the crystal.

Features

Digital/Analog:	Analog
Inch-Metric:	Inch
Delivered:	In a box with stem $\varnothing 3/8$ " (9.52 mm), stylus $\varnothing 0.079$ "
Range:	0,03 "
Dial reading:	0-15-0

Graduation:	0.0005"
H MPE (Hysteresis):	0.0002"
R MPE (Repeatability):	±0.0002"
MPE first one revolution:	±0.0005"
Measuring force:	0,01-0,2 N
Ruby stylus tip ø2 mm No.:	21CZA214
Mass:	42 g
Contact point:	Thread M 1.7 x 0.35
Remarks:	Basic set - ruby contact point

Dimensions



L1: 33.9 mm
L2: 30.4 mm
L3: 26.8 mm

Accessories

Optional accessories:



Limit Hands (Green) 2 pcs.

Dial Indicator Series 1, Test Indicator
 Art No. 21AAB363

Price on application

Standard accessories:



Art No. 21CAB105
 Suggested retail price: 7.04 €*

Knurled Clamp Ring for Stem

Lever Indicator Serie 513

Art No. 190322

Suggested retail price: 12.00 €*



Stylus for Series 513

Art No. 21CZA214

Price on application

