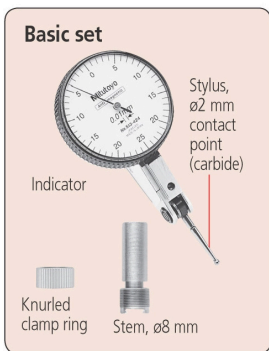
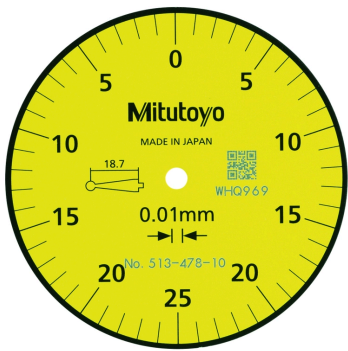


Dial Test Indicator, Horiz., Ruby Sty.

Item number: 513-478-10E

Images



Description

This is a Dial Test Indicator (Lever Type) which offers you the following benefits:

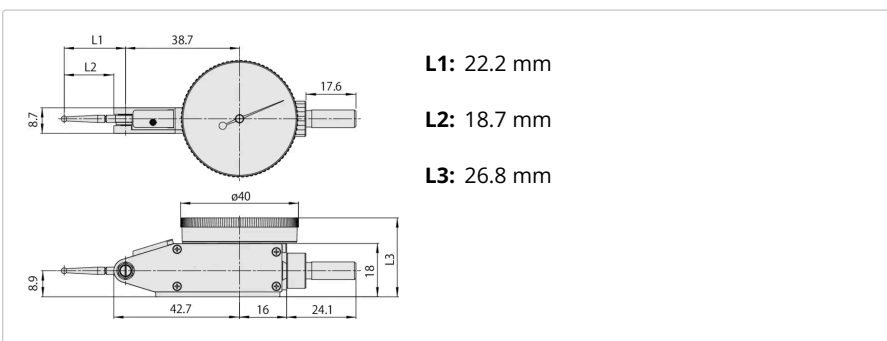
- Drastically enhanced durability, sensitivity and visibility.
- Glare-free flat crystal face allows easy reading of graduations.
- O-ring seal on the bezel has the effect of providing smooth rotation and prevents dust and oil from penetrating through to the dial face.
- The stylus length is on the dial face to reorder a replacement
- Multi-layer coatings on the crystal.

Features

Digital/Analog:	Analog
Inch-Metric:	Metric
Delivered:	In a box with stem $\varnothing 8$ mm, stylus $\varnothing 2$ mm
Range:	0.5 mm
Dial reading:	0-25-0
Graduation:	0.01 mm

MPE any 10 scale divisions:	5 µm
MPE measuring range:	5 µm
H MPE (Hysteresis):	3 µm
R MPE (Repeatability):	3 µm
Measuring force:	0.01-0.3 N
Ruby stylus tip ø2 mm No.:	21CZA210
Mass:	45 g
Contact point:	Thread M 1.7 x 0.35
Remarks:	Basic set - Ruby contact point

Dimensions



Accessories

Optional accessories:



Limit Hands (Green) 2 pcs.

Dial Indicator Series 1, Test Indicator

Art No. 21AAB363

Price on application

Standard accessories:



Stem for Standard Type Series 513

D=8mm

Art No. 21CAB104

Suggested retail price: 15.00 €*

Stylus for Serie 513

D= 2mm, 18,7mm Length, Ruby
Art No. 21CZA210
Suggested retail price: 33.00 €*



Knurled Clamp Ring for Stem

Lever Indicator Serie 513
Art No. 190322
Suggested retail price: 12.00 €*

