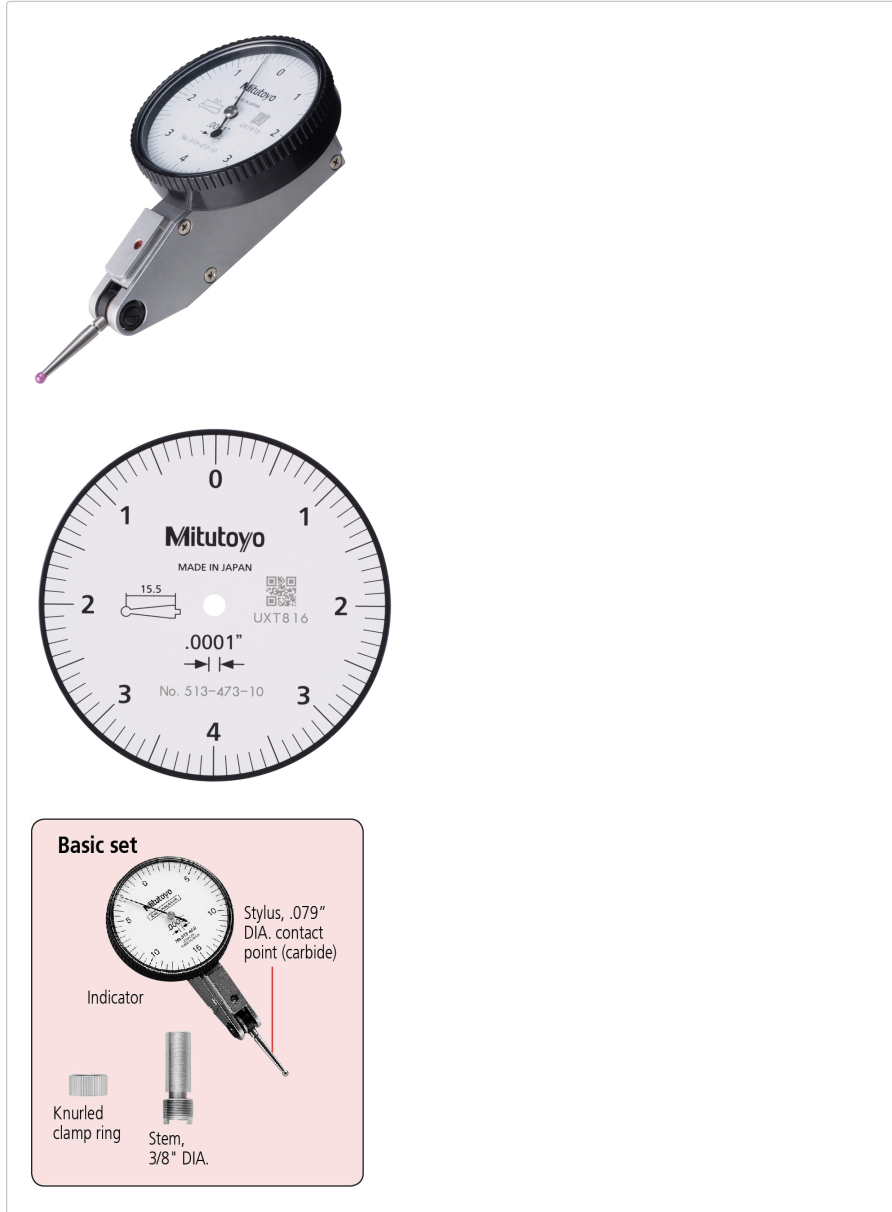


## Dial Test Indicator, Horiz., Ruby Sty.

Item number: 513-473-10E

### Images



### Description

This is a Dial Test Indicator (Lever Type) which offers you the following benefits:

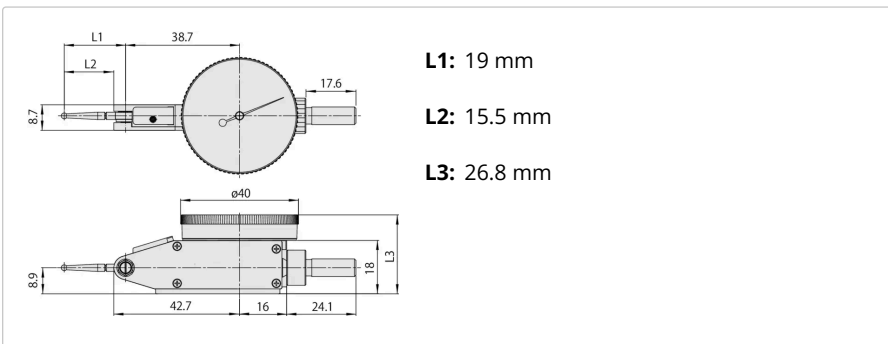
- Drastically enhanced durability, sensitivity and visibility.
- Glare-free flat crystal face allows easy reading of graduations.
- O-ring seal on the bezel has the effect of providing smooth rotation and prevents dust and oil from penetrating through to the dial face.
- The stylus length is on the dial face to reorder a replacement
- Multi-layer coatings on the crystal.

### Features

<b>Digital/Analog:</b>	Analog
<b>Inch-Metric:</b>	Inch
<b>Range:</b>	0,008 "
<b>Dial reading:</b>	0-4-0
<b>Delivered:</b>	In a box with stem $\varnothing 3/8$ " (9.52 mm), stylus $\varnothing 0.079$ "

<b>Graduation:</b>	0.0001"
<b>H MPE (Hysteresis):</b>	0.0001"
<b>R MPE (Repeatability):</b>	±0.00004"
<b>MPE first one revolution:</b>	±0.0001"
<b>Measuring force:</b>	0,01-0,3 N
<b>Contact point:</b>	Thread M 1.7 x 0.35
<b>Remarks:</b>	Basic set - ruby contact point
<b>Mass:</b>	42 g

## Dimensions



## Accessories

### Optional accessories:



### Limit Hands (Green) 2 pcs.

Dial Indicator Series 1, Test Indicator

Art No. 21AAB363

Price on application

### Standard accessories:



Art No. 21CAB105

Suggested retail price: 10.50 €\*

## Knurled Clamp Ring for Stem

Lever Indicator Serie 513

Art No. 190322

Suggested retail price: 5.80 €\*



Art No. 21CZB112

Suggested retail price: 28.80 €\*

