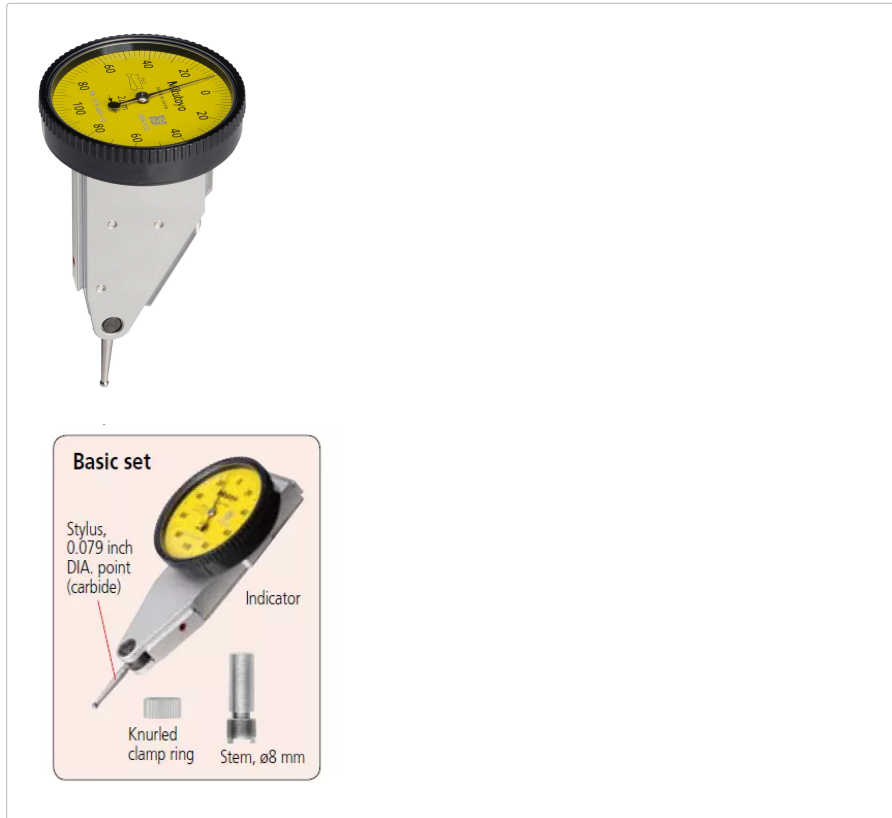


Dial Test Indicator, Vertical Type

Item number: 513-456-10E

Images



Description

This is a Dial Test Indicator (Lever Type) which offers you the following benefits:

- Drastically enhanced durability, sensitivity and visibility.
- Glare-free flat crystal face allows easy reading of graduations.
- O-ring seal on the bezel has the effect of providing smooth rotation and prevents dust and oil from penetrating through to the dial face.
- The stylus length is on the dial face to reorder a replacement
- Multi-layer coatings on the crystal.

Features

Digital/Analog:	Analog
Inch-Metric:	Metric
Delivered:	In a box with stem $\varnothing 8$ mm, stylus $\varnothing 2$ mm
Range:	0.5 mm
Dial reading:	0-100-0
Graduation:	0.01 mm
MPE any 10 scale divisions:	5 μm
MPE measuring range:	5 μm
H MPE (Hysteresis):	3 μm
R MPE (Repeatability):	3 μm
Carbide stylus tip $\varnothing 2$ mm No.:	137557
Mass:	46 g

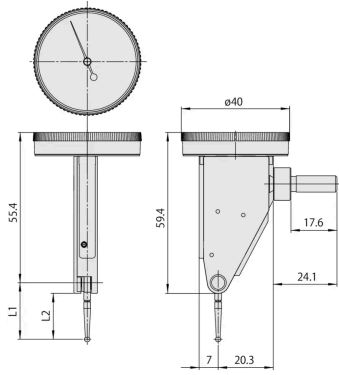
Contact point: Thread M 1.7 x 0.35

Remarks: Basic set

Dimensions

L1: 22.2 mm

L2: 18.7 mm



Accessories

Optional accessories:

Limit Hands (Green) 2 pcs.

Dial Indicator Series 1, Test Indicator
Art No. 21AAB363

Price on application



Standard accessories:

Stem for Standard Type Series 513

D=8mm

Art No. 21CAB104

Suggested retail price: 15.00 €*



Knurled Clamp Ring for Stem

Lever Indicator Serie 513

Art No. 190322

Suggested retail price: 12.00 €*



Stylus for Serie 513

D= 2mm, 18,7mm Length, Carbide

Art No. 137557

Suggested retail price: 21.00 €*

