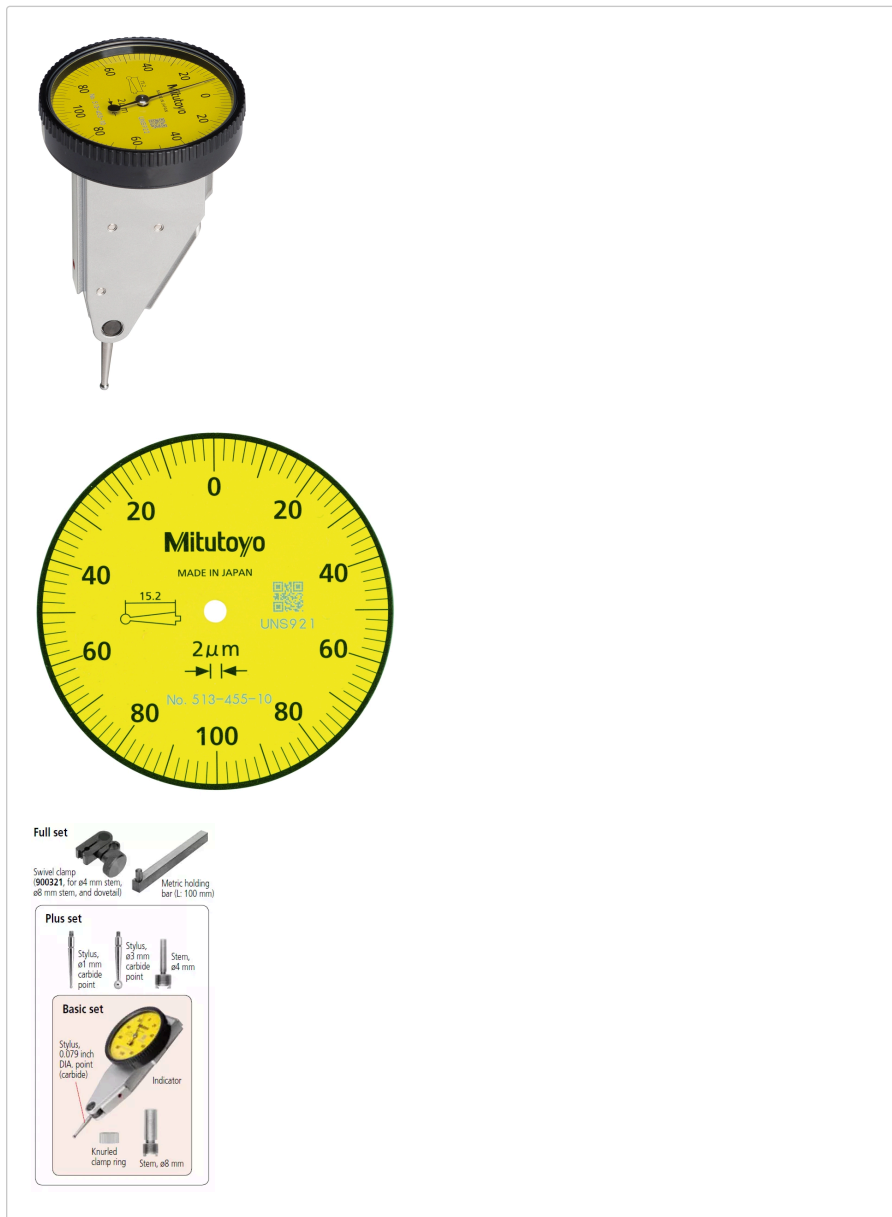


# Dial Test Indicator, Vertical Type

Item number: 513-455-10T

## Images



## Description

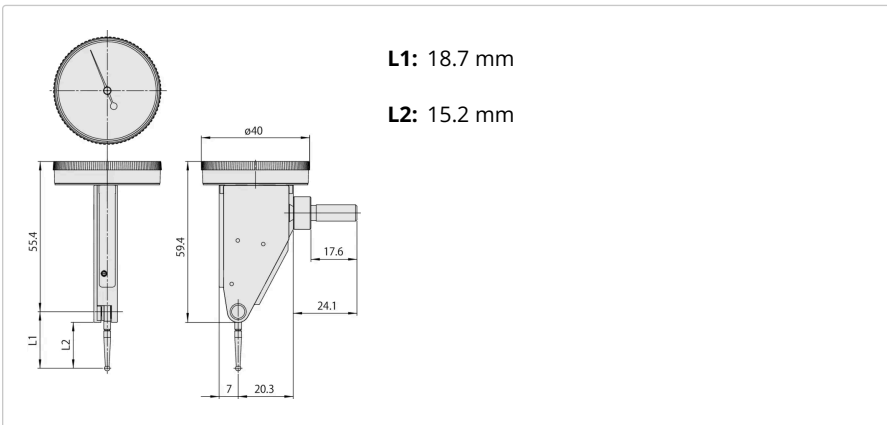
A Mitutoyo versatile anti-magnetic type lever indicator (or dial test indicator, DTI) suited to alignment operations on machine tools and similar applications. This indicator automatically adapts to the required measuring direction on contact, and the jewelled movement provides lowest friction and stiction for smooth and precise operation. Supplied with a comprehensive set of mounting accessories and interchangeable styli that enable immediate use in almost any situation.

## Features

<b>Digital/Analog:</b>	Analog
<b>Inch-Metric:</b>	Metric
<b>Delivered:</b>	In a box with stem $\varnothing 8/4$ mm, stylus $\varnothing 1/2/3$ mm, swivel clamp / holding bar
<b>Range:</b>	0.2 mm
<b>Dial reading:</b>	0-100-0
<b>Graduation:</b>	0.002 mm

<b>MPE any 10 scale divisions:</b>	2 µm
<b>MPE any 1/2 revolution:</b>	3 µm
<b>MPE measuring range:</b>	3 µm
<b>H MPE (Hysteresis):</b>	2 µm
<b>R MPE (Repeatability):</b>	1 µm
<b>Carbide stylus tip ø2 mm No.:</b>	103011
<b>Mass:</b>	46 g
<b>Contact point:</b>	Thread M 1.7 x 0.35
<b>Remarks:</b>	Full set

## Dimensions



## Accessories

### Optional accessories:



### Limit Hands (Green) 2 pcs.

Dial Indicator Series 1, Test Indicator

Art No. 21AAB363

Price on application

### Standard accessories:



### Stem for Standard Type Series 513

D=4mm

Art No. 21CAB106

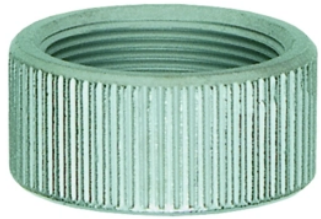
Suggested retail price: 15.00 €\*



### Stem for Standard Type Series 513

D=8mm  
Art No. 21CAB104  
Suggested retail price: 15.00 €\*  

---



### Knurled Clamp Ring for Stem

Lever Indicator Serie 513  
Art No. 190322  
Suggested retail price: 12.00 €\*  

---



### Stylus for Serie 513

D= 1mm, 15,2mm Length, Carbide  
Art No. 131314  
Suggested retail price: 10.00 €\*  

---



### Stylus for Serie 513

D= 2mm, 15,2mm Length, Carbide  
Art No. 103011  
Suggested retail price: 21.00 €\*  

---



### Stylus for Serie 513

D= 3mm, 15,2mm Length, Carbide  
Art No. 131315  
Suggested retail price: 12.00 €\*  

---

## Holding Bar for Swivel Clamp

9x9mm, 100mm Length

Art No. 900209

Suggested retail price: 25.00 €\*



## Swivel Clamp

for D= 4/8mm, Dovetail

Art No. 900321

Suggested retail price: 36.00 €\*

