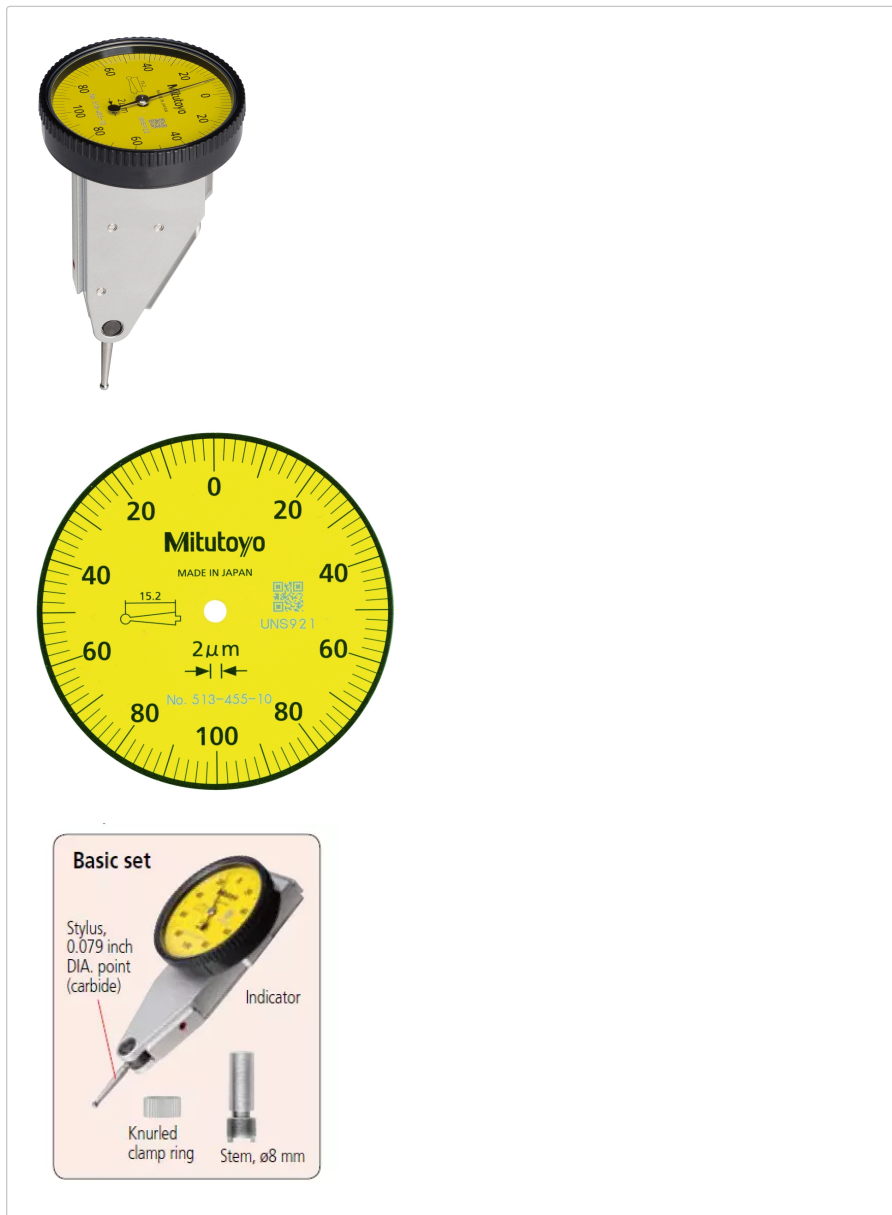


Dial Test Indicator, Vertical Type

Item number: 513-455-10E

Images



Description

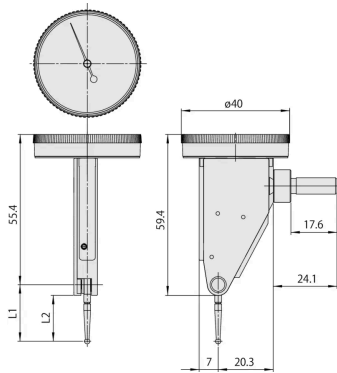
A versatile anti-magnetic type Mitutoyo lever indicator (or dial test indicator, DTI) suited to alignment operations on machine tools and similar applications. This indicator automatically adapts to the required measuring direction on contact, and the jewelled movement provides lowest friction and stiction for smooth and precise operation. Supplied with a basic set of mounting accessories.

Features

Digital/Analog:	Analog
Inch-Metric:	Metric
Range:	0.2 mm
Dial reading:	0-100-0
Delivered:	In a box with stem $\varnothing 8$ mm, stylus $\varnothing 2$ mm
Graduation:	0.002 mm
MPE any 10 scale divisions:	2 μ m

MPE any 1/2 revolution:	3 µm
MPE measuring range:	3 µm
H MPE (Hysteresis):	2 µm
R MPE (Repeatability):	1 µm
Carbide stylus tip ø2 mm No.:	103011
Contact point:	Thread M 1.7 x 0.35
Remarks:	Basic set
Mass:	46 g

Dimensions



L1: 18.7 mm

L2: 15.2 mm

Accessories

Optional accessories:



Limit Hands (Green) 2 pcs.

Dial Indicator Series 1, Test Indicator
Art No. 21AAB363
Price on application

Standard accessories:



Stem for Standard Type Series 513

D=8mm
Art No. 21CAB104
Suggested retail price: 6.50 €*

Knurled Clamp Ring for Stem

Lever Indicator Serie 513

Art No. 190322

Suggested retail price: 5.80 €*



Stylus for Serie 513

D= 2mm, 15,2mm Length, Carbide

Art No. 103011

Suggested retail price: 14.50 €*

