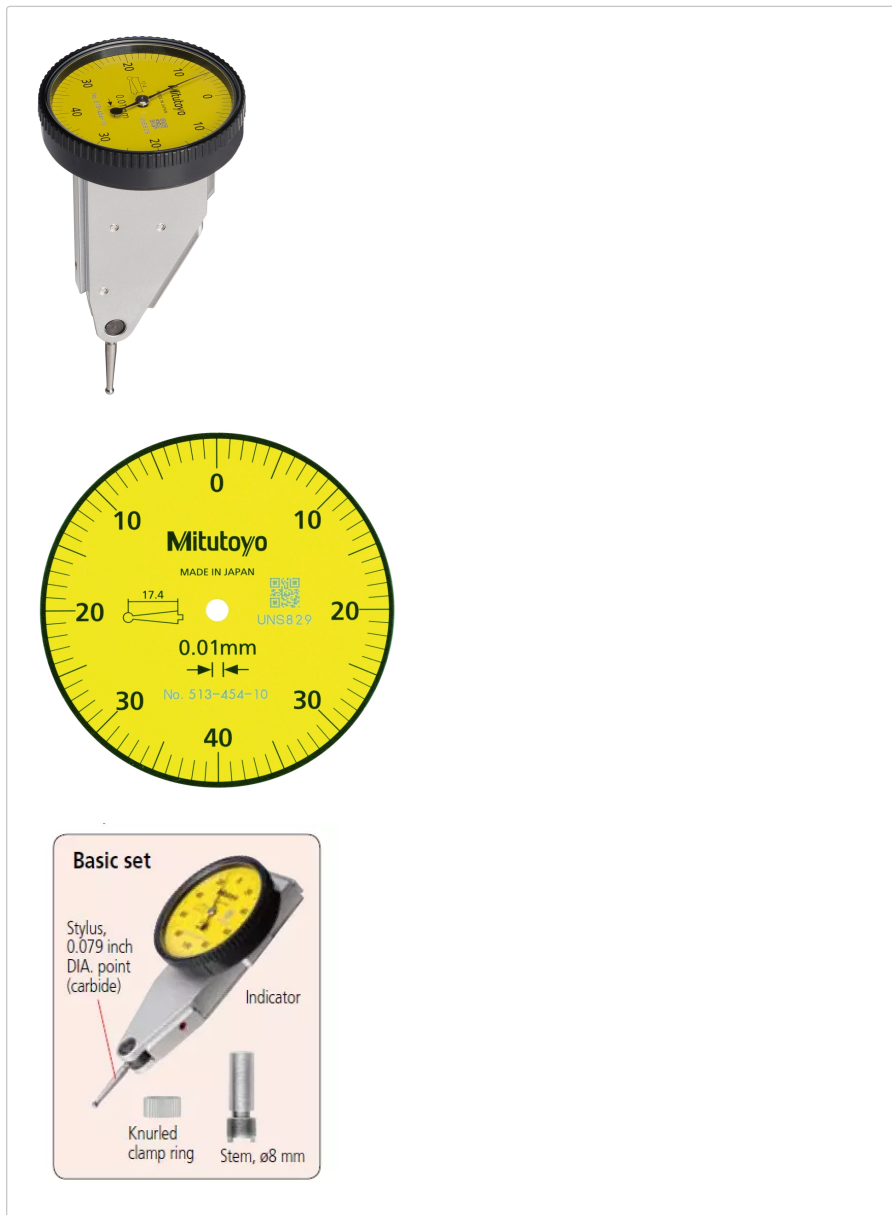


Dial Test Indicator, Vertical Type

Item number: 513-454-10E

Images



Description

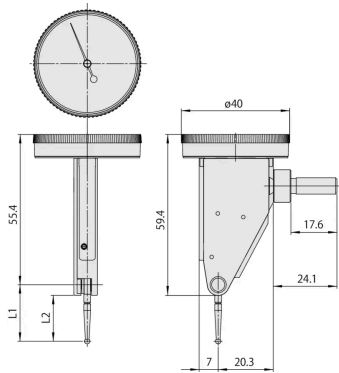
A Mitutoyo versatile anti-magnetic type lever indicator (or dial test indicator, DTI) suited to alignment operations on machine tools and similar applications. This indicator automatically adapts to the required measuring direction on contact, and the jewelled movement provides lowest friction and stiction for smooth and precise operation. Supplied with a basic set of mounting accessories.

Features

Digital/Analog:	Analog
Inch-Metric:	Metric
Delivered:	In a box with stem $\varnothing 8$ mm, stylus $\varnothing 2$ mm
Range:	0.8 mm
Dial reading:	0-40-0
Graduation:	0.01 mm
MPE any 10 scale divisions:	5 μ m

MPE any 1/2 revolution:	6 µm
MPE measuring range:	8 µm
H MPE (Hysteresis):	3 µm
R MPE (Repeatability):	3 µm
Carbide stylus tip ø2 mm No.:	103006
Mass:	46 g
Contact point:	Thread M 1.7 x 0.35
Remarks:	Basic set

Dimensions



L1: 20.9 mm

L2: 17.4 mm

Accessories

Optional accessories:



Limit Hands (Green) 2 pcs.

Dial Indicator Series 1, Test Indicator

Art No. 21AAB363

Price on application

Standard accessories:



Stem for Standard Type Series 513

D=8mm

Art No. 21CAB104

Suggested retail price: 15.00 €*

Knurled Clamp Ring for Stem

Lever Indicator Serie 513

Art No. 190322

Suggested retail price: 12.00 €*



Stylus for Serie 513

D= 2mm, 17,4mm Length, Carbide

Art No. 103006

Suggested retail price: 21.00 €*

