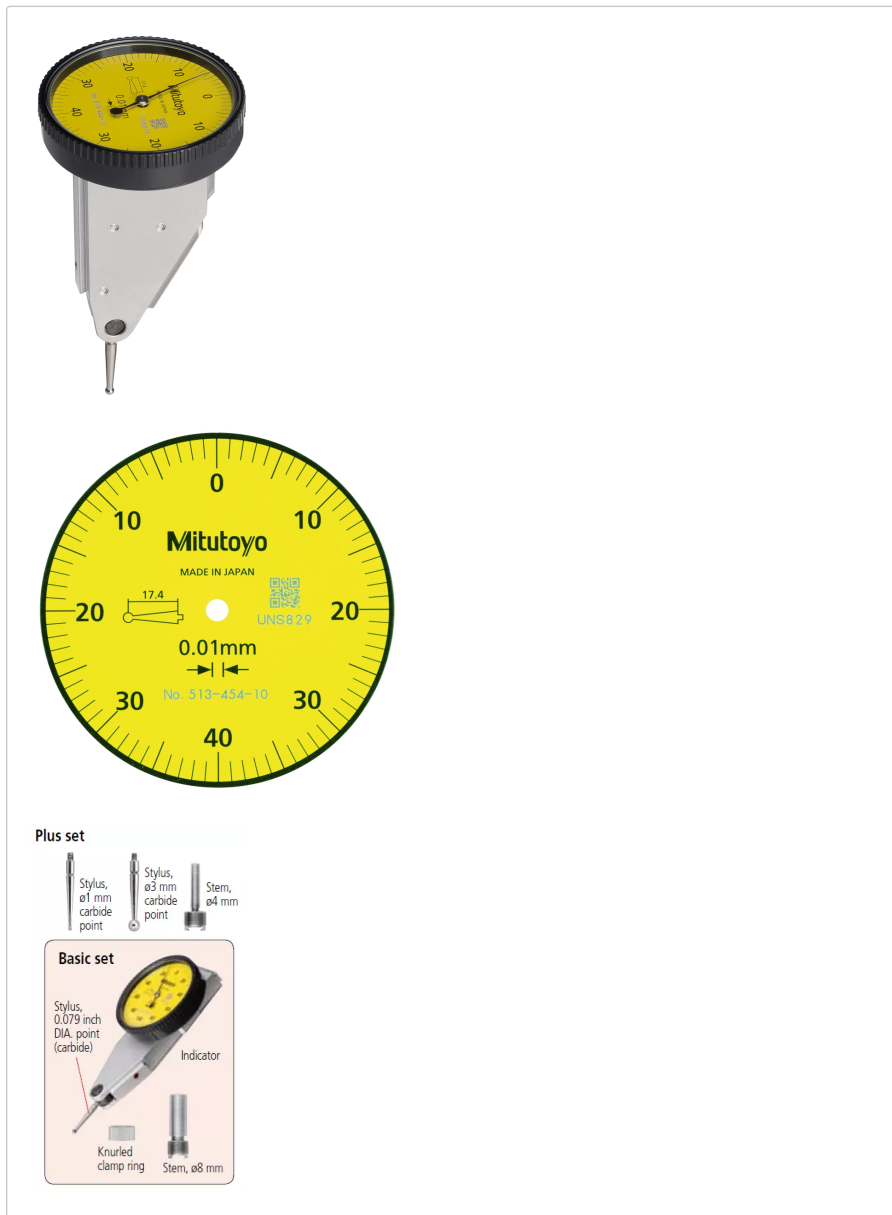


## Dial Test Indicator, Vertical Type

Item number: 513-454-10A

### Images



### Description

This is a Dial Test Indicator (Lever Type) which offers you the following benefits:

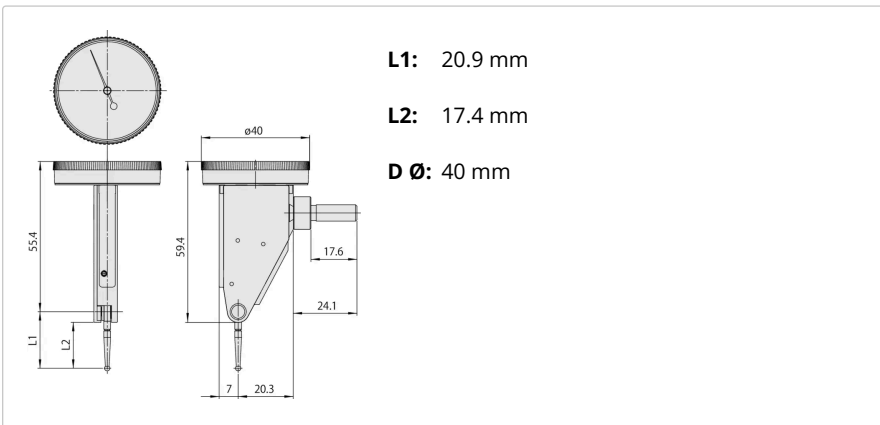
- Drastically enhanced durability, sensitivity and visibility.
- Glare-free flat crystal face allows easy reading of graduations.
- O-ring seal on the bezel has the effect of providing smooth rotation and prevents dust and oil from penetrating through to the dial face.
- The stylus length is on the dial face to reorder a replacement
- Multi-layer coatings on the crystal.

### Features

<b>Digital/Analog:</b>	Analog
<b>Inch-Metric:</b>	Metric
<b>Delivered:</b>	In a box with stem $\varnothing 8/4$ mm, stylus $\varnothing 1/2/3$ mm
<b>Range:</b>	0.5 mm
<b>Graduation:</b>	0.01 mm

<b>MPE any 10 scale divisions:</b>	5 µm
<b>MPE any 1/2 revolution:</b>	6 µm
<b>MPE measuring range:</b>	8 µm
<b>H MPE (Hysteresis):</b>	3 µm
<b>R MPE (Repeatability):</b>	3 µm
<b>Mass:</b>	46 g
<b>Contact point:</b>	Thread M 1.7 x 0.35
<b>Remarks:</b>	Plus set

### Dimensions



### Accessories

Optional accessories:



**Limit Hands (Green) 2 pcs.**  
 Dial Indicator Series 1, Test Indicator  
 Art No. 21AAB363  
 Price on application

Standard accessories:



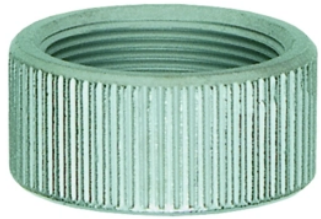
**Stem for Standard Type Series 513**  
 D=4mm  
 Art No. 21CAB106  
 Suggested retail price: 15.00 €\*



### Stem for Standard Type Series 513

D=8mm  
Art No. 21CAB104  
Suggested retail price: 15.00 €\*  

---



### Knurled Clamp Ring for Stem

Lever Indicator Serie 513  
Art No. 190322  
Suggested retail price: 12.00 €\*  

---



### Stylus for Serie 513

D= 1mm, 17,4mm Length, Carbide  
Art No. 103013  
Suggested retail price: 16.00 €\*  

---



### Stylus for Serie 513

D= 2mm, 17,4mm Length, Carbide  
Art No. 103006  
Suggested retail price: 21.00 €\*  

---



### Stylus for Serie 513

D= 3mm, 17,4mm Length, Carbide  
Art No. 103014  
Suggested retail price: 16.00 €\*  

---

