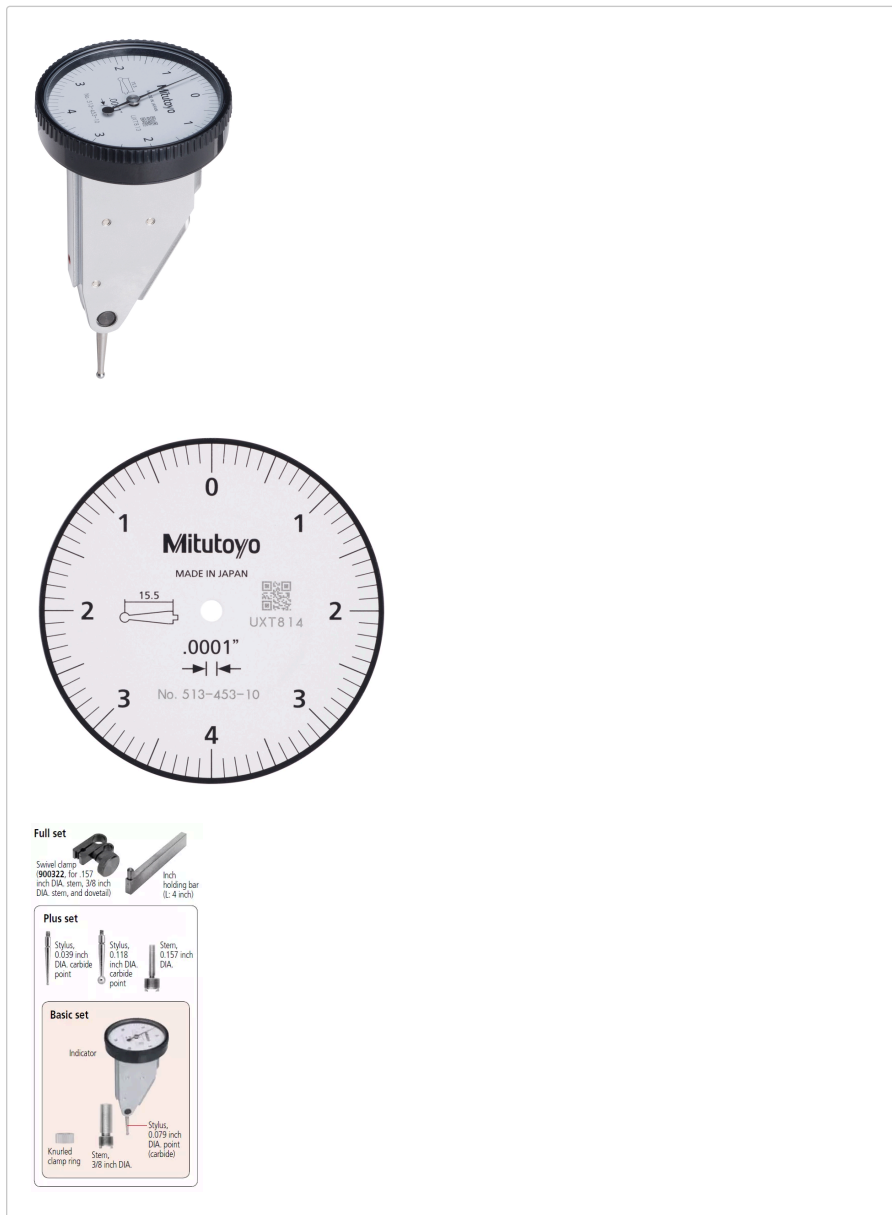


Dial Test Indicator, Vertical Type

Item number: 513-453-10T

Images



Description

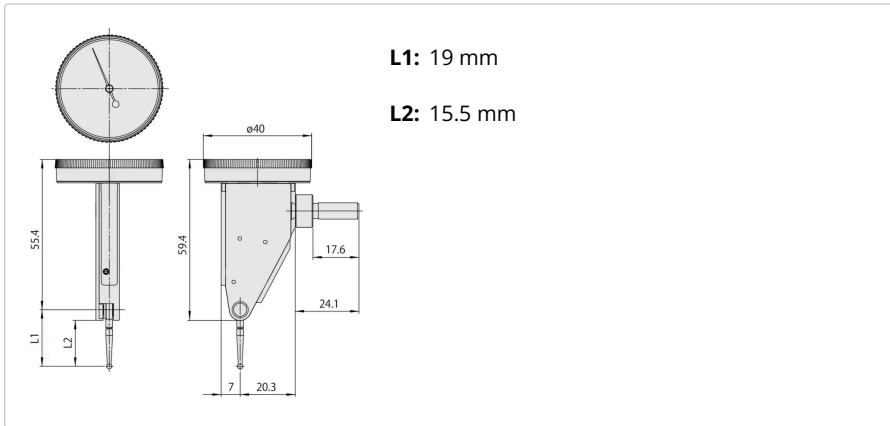
A Mitutoyo versatile anti-magnetic lever indicator (or dial test indicator, DTI) suited to alignment operations on machine tools and similar applications. This indicator automatically adapts to the required measuring direction on contact, and the jewelled movement provides lowest friction and stiction for smooth and precise operation. Supplied with a comprehensive set of mounting accessories and interchangeable styli that enable immediate use in almost any situation.

Features

Digital/Analog:	Analog
Inch-Metric:	Inch
Delivered:	In a box with stem $\varnothing 3/8$ " (9.52 mm) / 0.157" (4 mm), stylus $\varnothing 0.039"/0.079"/0.118$ ", swivel clamp / holding bar
Range:	0,008 "
Dial reading:	0-4-0

Graduation:	0.0001"
H MPE (Hysteresis):	0.0001"
R MPE (Repeatability):	±0.00004"
MPE first one revolution:	±0.0001"
Measuring force:	0,01-0,3 N
Mass:	50 g
Contact point:	Thread M 1.7 x 0.35
Remarks:	Full set

Dimensions



Accessories

Optional accessories:



Limit Hands (Green) 2 pcs.

Dial Indicator Series 1, Test Indicator

Art No. 21AAB363

Price on application

Standard accessories:



Stem for Standard Type Series 513

D=4mm

Art No. 21CAB106

Suggested retail price: 15.00 €*

Art No. 21CZB105
Suggested retail price: 4.00 €*



Knurled Clamp Ring for Stem

Lever Indicator Serie 513
Art No. 190322
Suggested retail price: 12.00 €*



Art No. 21CZB064
Suggested retail price: 11.00 €*



Art No. 21CZB065
Suggested retail price: 10.00 €*



Art No. 21CZB066
Suggested retail price: 11.00 €*



Art No. 901162
Price on application

