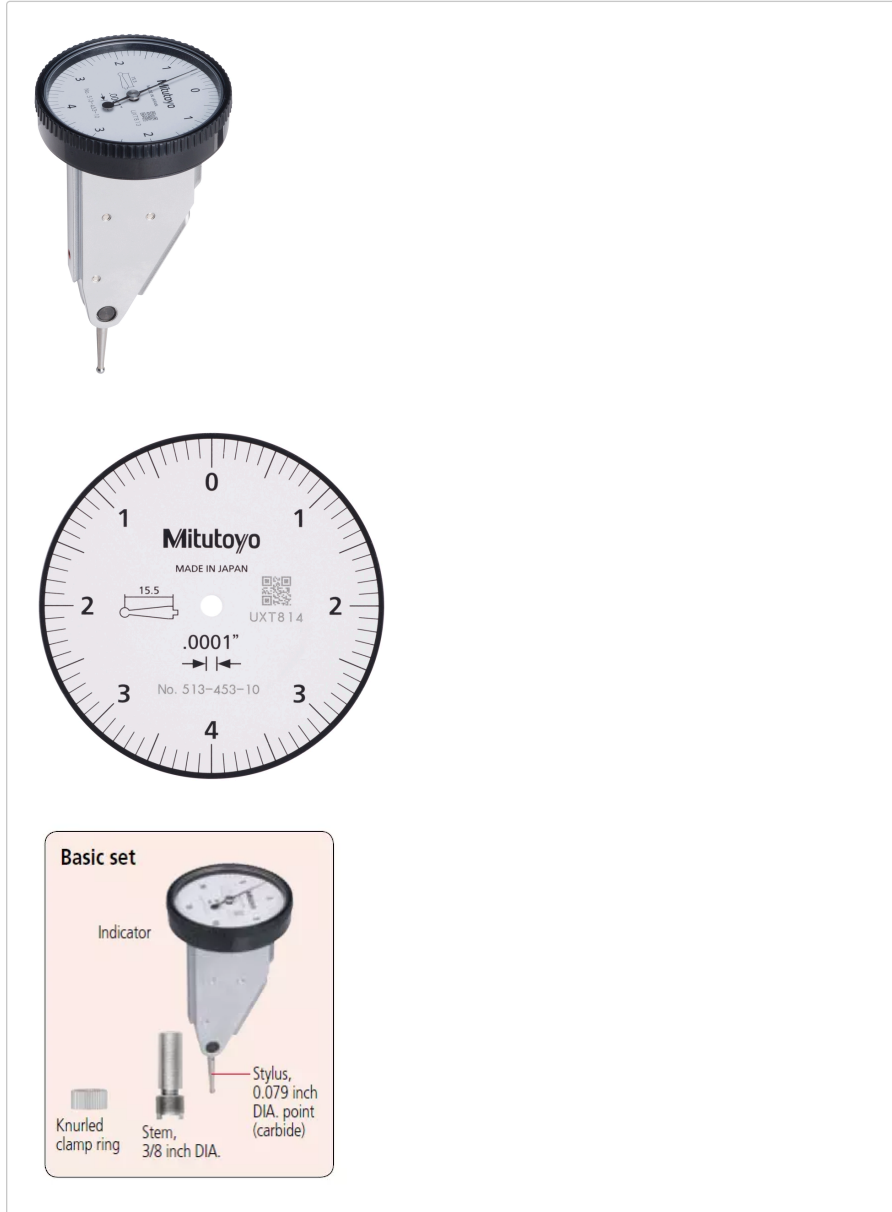


# Dial Test Indicator, Vertical Type

Item number: 513-453-10E

## Images



## Description

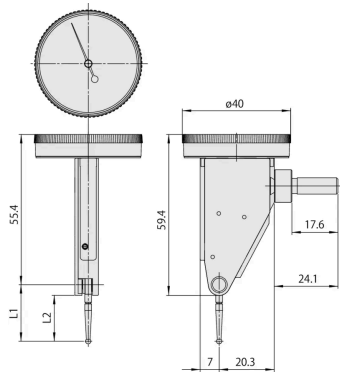
A Mitutoyo versatile anti-magnetic type lever indicator (or dial test indicator, DTI) suited to alignment operations on machine tools and similar applications. This indicator automatically adapts to the required measuring direction on contact, and the jewelled movement provides lowest friction and stiction for smooth and precise operation. Supplied with a basic set of mounting accessories.

## Features

<b>Digital/Analog:</b>	Analog
<b>Inch-Metric:</b>	Inch
<b>Range:</b>	0,008 "
<b>Dial reading:</b>	0-4-0
<b>Delivered:</b>	In a box with stem $\varnothing 3/8$ " (9.52 mm), stylus $\varnothing 0.079$ "
<b>Graduation:</b>	0.0001"

<b>H MPE (Hysteresis):</b>	0.0001"
<b>R MPE (Repeatability):</b>	±0.00004"
<b>MPE first one revolution:</b>	±0.0001"
<b>Measuring force:</b>	0,01-0,3 N
<b>Contact point:</b>	Thread M 1.7 x 0.35
<b>Remarks:</b>	Basic set
<b>Mass:</b>	50 g

## Dimensions



**L1:** 19 mm

**L2:** 15.5 mm

## Accessories

### Optional accessories:



### Limit Hands (Green) 2 pcs.

Dial Indicator Series 1, Test Indicator

Art No. 21AAB363

Price on application

### Standard accessories:



Art No. 21CAB105

Suggested retail price: 10.50 €\*

## Knurled Clamp Ring for Stem

Lever Indicator Serie 513

Art No. 190322

Suggested retail price: 5.80 €\*



Art No. 21CZB064

Suggested retail price: 8.40 €\*

