

Dial Test Indicator, Horiz. 20° Face

Item number: 513-446-16T

Images



Description

This is a Dial Test Indicator (Lever Type) which offers you the following benefits:

- Drastically enhanced durability, sensitivity and visibility.
- Glare-free flat crystal face allows easy reading of graduations.
- O-ring seal on the bezel has the effect of providing smooth rotation and prevents dust and oil from penetrating through to the dial face.
- The stylus length is on the dial face to reorder a replacement
- Multi-layer coatings on the crystal.

Features

Digital/Analog:	Analog
Inch-Metric:	Inch
Range:	0,06 "
Dial reading:	0-15-0
Delivered:	In a box with stem $\varnothing 3/8$ " (9.52 mm) / 0.157" (4 mm), stylus $\varnothing 0.039$ "/0.079"/0.118", swivel clamp / holding bar
Graduation:	0.0005"
H MPE (Hysteresis):	0.0002"
R MPE (Repeatability):	± 0.0002 "
MPE first one revolution:	± 0.0005 "
MPE first 2 1/2 revolutions:	± 0.0005 "
Measuring force:	0,01-0,3 N
Contact point:	Thread M 1.7 x 0.35

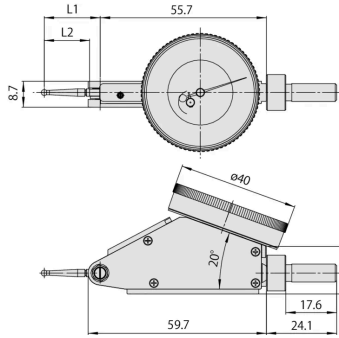
Remarks:

Full set

Mass:

48 g

Dimensions



L1: 33.9 mm

L2: 30.4 mm

Accessories

Optional accessories:



Limit Hands (Green) 2 pcs.

Dial Indicator Series 1, Test Indicator

Art No. 21AAB363

[Price on application](#)

Standard accessories:



Stylus for Series 513

∅ 2mm, 1,20" length

Art No. 136290

[Price on application](#)

Stem for Standard Type Series 513

D=4mm

Art No. 21CAB106

Suggested retail price: 9.80 €*


Art No. 901162
Price on application



Stylus for Series 513

Ø1mm, 1,20" length, Carbide
Art No. 136291
Suggested retail price: 5.50 €*



Art No. 21CAB105
Suggested retail price: 10.50 €*



Stylus for Series 513

Ø3mm, 1,20" length
Art No. 136292
Price on application



Knurled Clamp Ring for Stem

Lever Indicator Serie 513
Art No. 190322
Suggested retail price: 5.80 €*



