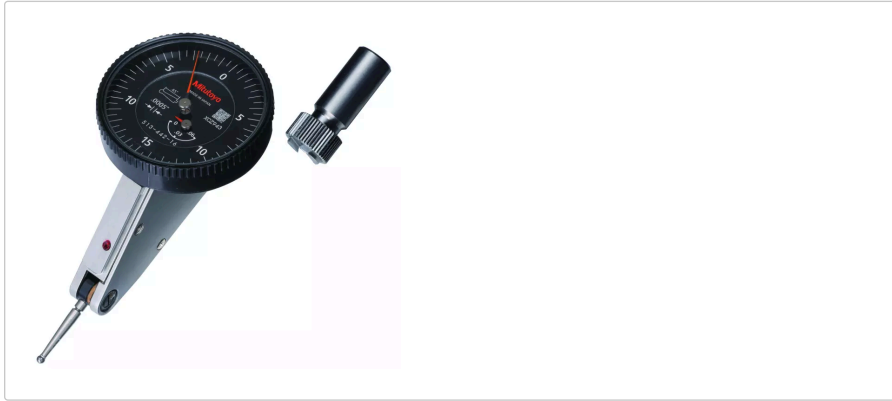


Dial Test Indicator, Horiz. 20° Face

Item number: 513-446-16A

Images



Description

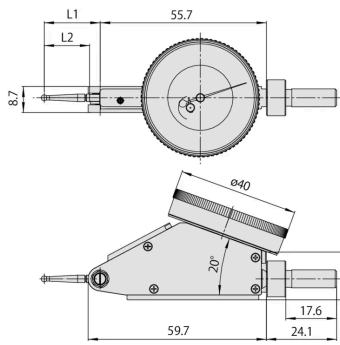
This is a Dial Test Indicator (Lever Type) which offers you the following benefits:

- Drastically enhanced durability, sensitivity and visibility.
- Glare-free flat crystal face allows easy reading of graduations.
- O-ring seal on the bezel has the effect of providing smooth rotation and prevents dust and oil from penetrating through to the dial face.
- The stylus length is on the dial face to reorder a replacement
- Multi-layer coatings on the crystal.

Features

| | |
|-------------------------------------|--|
| Digital/Analog: | Analog |
| Inch-Metric: | Inch |
| Delivered: | In a box with stem $\varnothing 3/8$ " (9.52 mm) / 0.157" (4 mm), stylus $\varnothing 0.039"/0.079"/0.118$ " |
| Range: | 0,06 " |
| Dial reading: | 0-15-0 |
| Graduation: | 0.0005" |
| H MPE (Hysteresis): | 0.0002" |
| R MPE (Repeatability): | ± 0.0002 " |
| MPE first one revolution: | ± 0.0005 " |
| MPE first 2 1/2 revolutions: | ± 0.0005 " |
| Measuring force: | 0,01-0,3 N |
| Mass: | 48 g |
| Contact point: | Thread M 1.7 x 0.35 |
| Remarks: | Plus set |

Dimensions



L1: 33.9 mm

L2: 30.4 mm

Accessories

Optional accessories:



Limit Hands (Green) 2 pcs.

Dial Indicator Series 1, Test Indicator
Art No. 21AAB363

[Price on application](#)

Standard accessories:



Stylus for Series 513

2mm, 1,20" length
Art No. 136290

[Price on application](#)



Stem for Standard Type Series 513

D=4mm

Art No. 21CAB106

Suggested retail price: 15.00 €*

Stylus for Series 513

Ø1mm, 1,20" length, Carbide
Art No. 136291
Suggested retail price: 15.00 €*



Art No. 21CAB105
Suggested retail price: 7.04 €*



Stylus for Series 513

Ø3mm, 1,20" length
Art No. 136292
Price on application



Knurled Clamp Ring for Stem

Lever Indicator Serie 513
Art No. 190322
Suggested retail price: 12.00 €*



Spare parts

Consumable spares:

Stylus for Series 513

Ã 2mm, 1,20" length

Art No. 136290

Price on application

