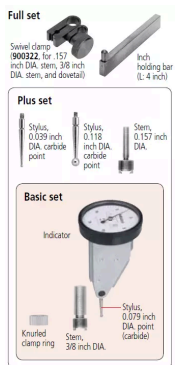
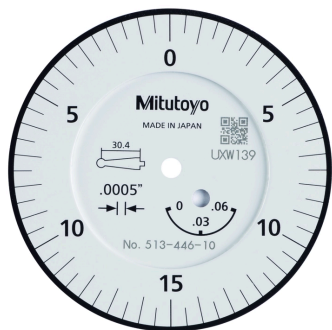


## Dial Test Indicator, Horiz. 20° Face

Item number: 513-446-10T

### Images



### Description

- Centered, bi-directional action for automatic reversal of measuring direction.
- Rotatable scale for easy zero setting. Jewelled bearings and precision gears and pinions for smooth, accurate movement and quick response.

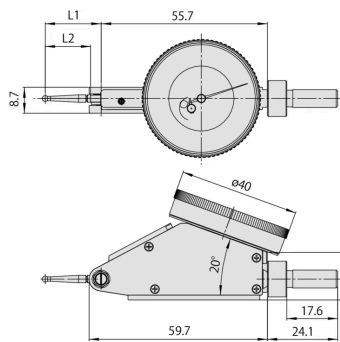
### Features

Digital/Analog:

Analog

<b>Inch-Metric:</b>	Inch
<b>Range:</b>	0,06 "
<b>Dial reading:</b>	0-15-0
<b>Delivered:</b>	In a box with stem $\varnothing 3/8$ " (9.52 mm) / 0.157" (4 mm), stylus $\varnothing 0.039$ "/0.079"/0.118", swivel clamp / holding bar
<b>Graduation:</b>	0.0005"
<b>H MPE (Hysteresis):</b>	0.0002"
<b>R MPE (Repeatability):</b>	$\pm 0.0002$ "
<b>MPE first one revolution:</b>	$\pm 0.0005$ "
<b>MPE first 2 1/2 revolutions:</b>	$\pm 0.0005$ "
<b>Measuring force:</b>	0,01-0,3 N
<b>Contact point:</b>	Thread M 1.7 x 0.35
<b>Remarks:</b>	Full set
<b>Mass:</b>	48 g

### Dimensions



**L1:** 33.9 mm

**L2:** 30.4 mm

### Accessories

#### Optional accessories:



#### **Limit Hands (Green) 2 pcs.**

Dial Indicator Series 1, Test Indicator  
Art No. 21AAB363

**Price on application**

#### Standard accessories:

### Stylus for Series 513

Ã 2mm, 1,20" length

Art No. 136290

Price on application



### Stem for Standard Type Series 513

D=4mm

Art No. 21CAB106

Suggested retail price: 9.80 €\*



Art No. 901162

Price on application



### Stylus for Series 513

Ø1mm, 1,20" length, Carbide

Art No. 136291

Suggested retail price: 5.50 €\*



Art No. 21CAB105

Suggested retail price: 10.50 €\*



### **Stylus for Series 513**

Ø3mm, 1,20" length

Art No. 136292

**Price on application**



---

### **Knurled Clamp Ring for Stem**

Lever Indicator Serie 513

Art No. 190322

Suggested retail price: **5.80 €\***

