

Dial Test Indicator, Horiz. 20°

Face

Item number: 513-443-10T

Images



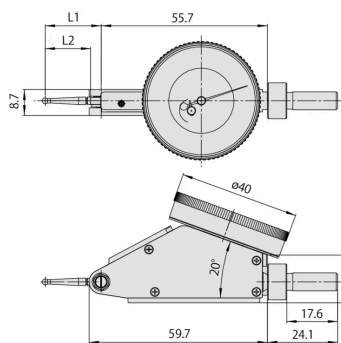
Description

A Mitutoyo versatile anti-magnetic type lever indicator (or dial test indicator, DTI) suited to alignment operations on machine tools and similar applications. This indicator automatically adapts to the required measuring direction on contact, and the jewelled movement provides lowest friction and stiction for smooth and precise operation. Supplied with a comprehensive set of mounting accessories and interchangeable styli that enable immediate use in almost any situation.

Features

Digital/Analog:	Analog
Inch-Metric:	Inch
Range:	0,016 "
Dial reading:	0-4-0
Delivered:	In a box with stem $\varnothing 3/8$ " (9.52 mm) / 0.157" (4 mm), stylus $\varnothing 0.039$ "/0.079"/0.118", swivel clamp / holding bar
Graduation:	0.0001"
H MPE (Hysteresis):	0.0001"
R MPE (Repeatability):	± 0.00004 "
MPE first one revolution:	± 0.0002 "
MPE first 2 1/2 revolutions:	± 0.0002 "
Measuring force:	0,01-0,3 N
Contact point:	Thread M 1.7 x 0.35
Remarks:	Full set
Mass:	48 g

Dimensions



L1: 19 mm

L2: 15.5 mm

Accessories

Optional accessories:



Limit Hands (Green) 2 pcs.

Dial Indicator Series 1, Test Indicator
Art No. 21AAB363

Price on application

Standard accessories:

Art No. 21CZB064
Suggested retail price: 8.40 €*



Stem for Standard Type Series 513

D=4mm
Art No. 21CAB106
Suggested retail price: 9.80 €*



Art No. 901162
Price on application



Art No. 21CAB105
Suggested retail price: 10.50 €*



Art No. 21CZB065
Suggested retail price: 7.40 €*



Art No. 21CZB066
Suggested retail price: 8.40 €*



Knurled Clamp Ring for Stem

Lever Indicator Serie 513
Art No. 190322
Suggested retail price: 5.80 €*

