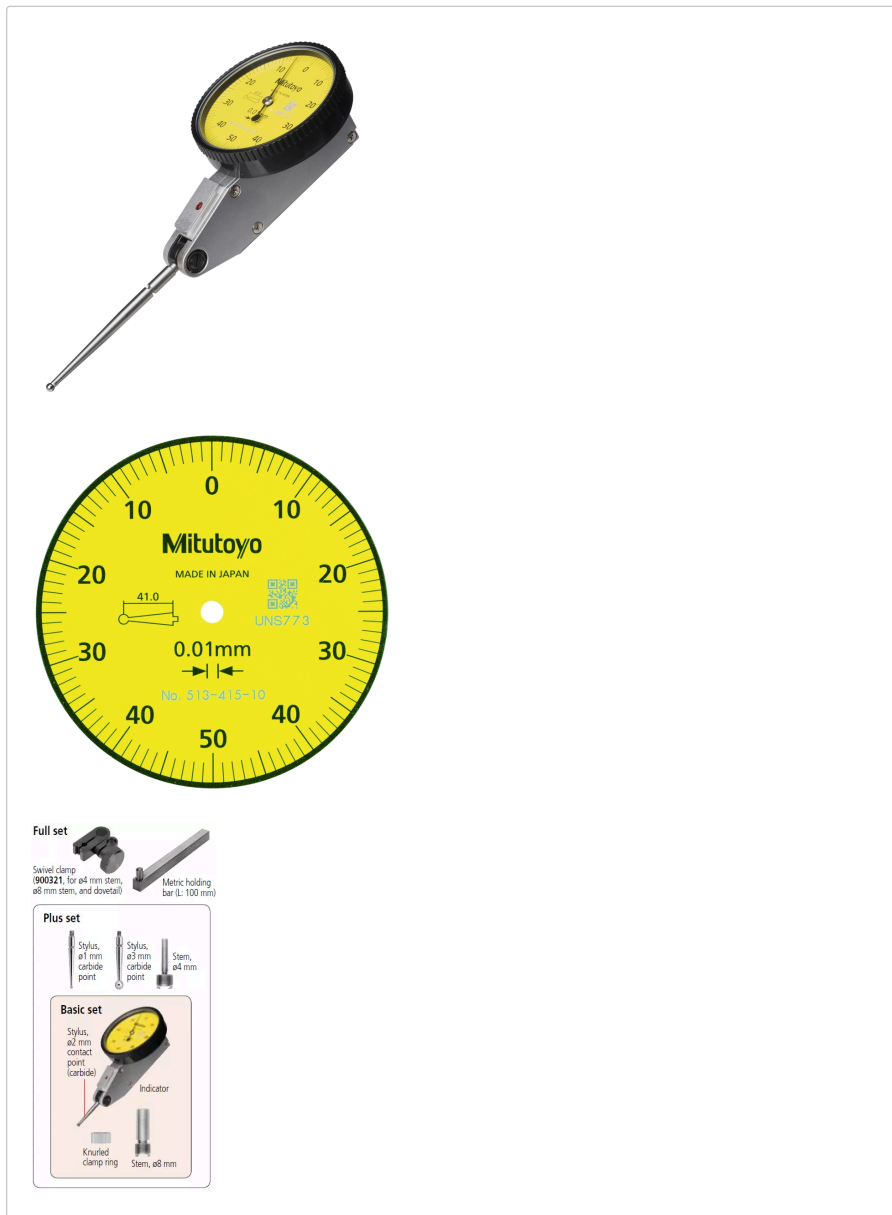


Dial Test Indicator, Horizontal Type

Item number: 513-415-10T

Images



Description

This is a Dial Test Indicator (Lever Type) which offers you the following benefits:

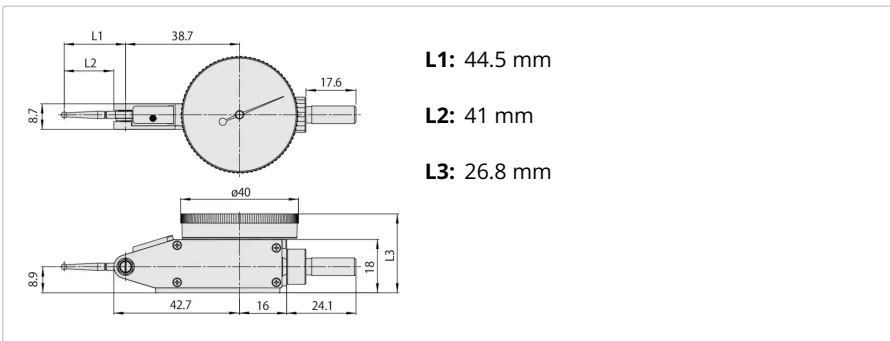
- Drastically enhanced durability, sensitivity and visibility.
- Glare-free flat crystal face allows easy reading of graduations.
- O-ring seal on the bezel has the effect of providing smooth rotation and prevents dust and oil from penetrating through to the dial face.
- The stylus length is on the dial face to reorder a replacement
- Multi-layer coatings on the crystal.

Features

Digital/Analog:	Analog
Inch-Metric:	Metric
Range:	1 mm
Dial reading:	0-50-0
Delivered:	In a box with stem $\varnothing 8/4$ mm, stylus $\varnothing 1/2/3$ mm, swivel clamp / holding bar

Graduation:	0.01 mm
MPE any 10 scale divisions:	5 µm
MPE any 1/2 revolution:	8 µm
MPE measuring range:	10 µm
H MPE (Hysteresis):	4 µm
R MPE (Repeatability):	3 µm
Measuring force:	0.01-0.2 N
Carbide stylus tip ø2 mm No.:	136013
Contact point:	Thread M 1.7 x 0.35
Remarks:	Full set
Mass:	45 g

Dimensions



Accessories

Optional accessories:



Limit Hands (Green) 2 pcs.

Dial Indicator Series 1, Test Indicator
 Art No. 21AAB363
 Price on application

Standard accessories:



Stem for Standard Type Series 513

D=4mm
Art No. 21CAB106
Suggested retail price: 9.80 €*



Stem for Standard Type Series 513

D=8mm
Art No. 21CAB104
Suggested retail price: 6.50 €*



Stylus for Serie 513

D= 1mm, 41mm Length, Carbide
Art No. 136235
Suggested retail price: 5.50 €*



Stylus for Serie 513

D= 2mm, 41mm Length, Carbide
Art No. 136013
Suggested retail price: 9.50 €*



Stylus for Serie 513

D= 3mm, 41mm Length, Carbide
Art No. 136236
Suggested retail price: 5.50 €*

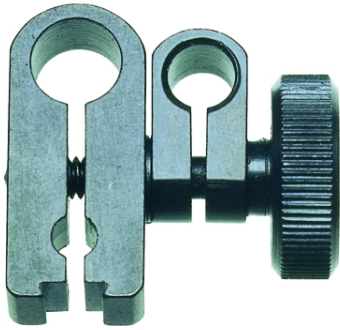
Knurled Clamp Ring for Stem

Lever Indicator Serie 513
Art No. 190322
Suggested retail price: 5.80 €*



Swivel Clamp

for D= 4/8mm, Dovetail
Art No. 900321
Suggested retail price: 26.50 €*



Holding Bar for Swivel Clamp

9x9mm, 100mm Length
Art No. 900209
Suggested retail price: 17.30 €*

