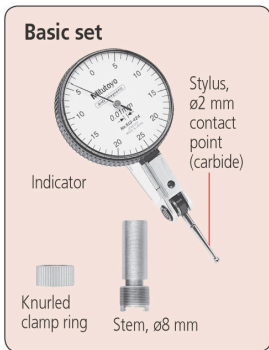
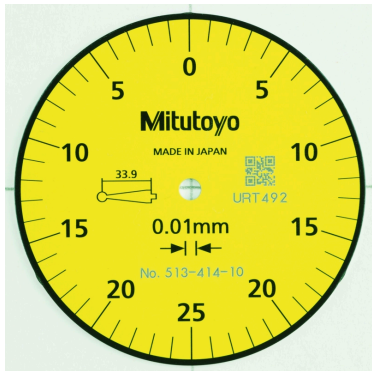


Dial Test Indicator, Horizontal Type

Item number: 513-414-10E

Images



Description

This is a Dial Test Indicator (Lever Type) which offers you the following benefits:

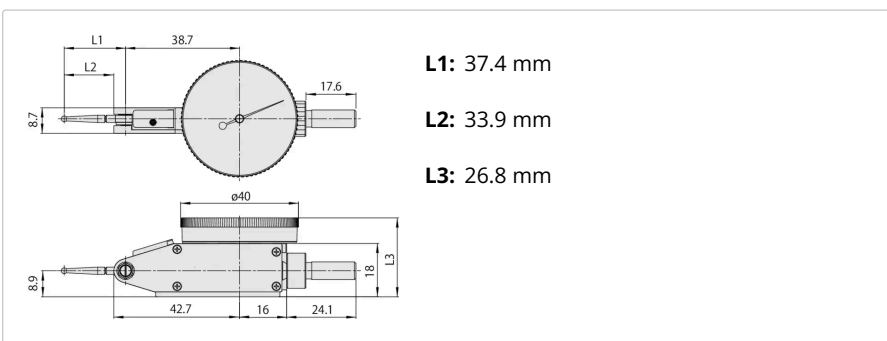
- Drastically enhanced durability, sensitivity and visibility.
- Glare-free flat crystal face allows easy reading of graduations.
- O-ring seal on the bezel has the effect of providing smooth rotation and prevents dust and oil from penetrating through to the dial face.
- The stylus length is on the dial face to reorder a replacement
- Multi-layer coatings on the crystal.

Features

Digital/Analog:	Analog
Inch-Metric:	Metric
Range:	0.5 mm
Dial reading:	0-25-0
Delivered:	In a box with stem ø8 mm, stylus ø2 mm
Graduation:	0.01 mm

MPE any 10 scale divisions:	5 µm
MPE measuring range:	10 µm
H MPE (Hysteresis):	4 µm
R MPE (Repeatability):	3 µm
Measuring force:	0.01-0.2 N
Carbide stylus tip ø2 mm No.:	131324
Contact point:	Thread M 1.7 x 0.35
Remarks:	Basic set
Mass:	45 g

Dimensions



Accessories

Optional accessories:



Limit Hands (Green) 2 pcs.

Dial Indicator Series 1, Test Indicator

Art No. 21AAB363

Price on application

Standard accessories:



Stem for Standard Type Series 513

D=8mm

Art No. 21CAB104

Suggested retail price: 6.50 €*

Stylus for Series 513

D=2mm, 33,9mm Length, Carbide

Art No. 131324

Suggested retail price: 7.30 €*



Knurled Clamp Ring for Stem

Lever Indicator Serie 513

Art No. 190322

Suggested retail price: 5.80 €*

