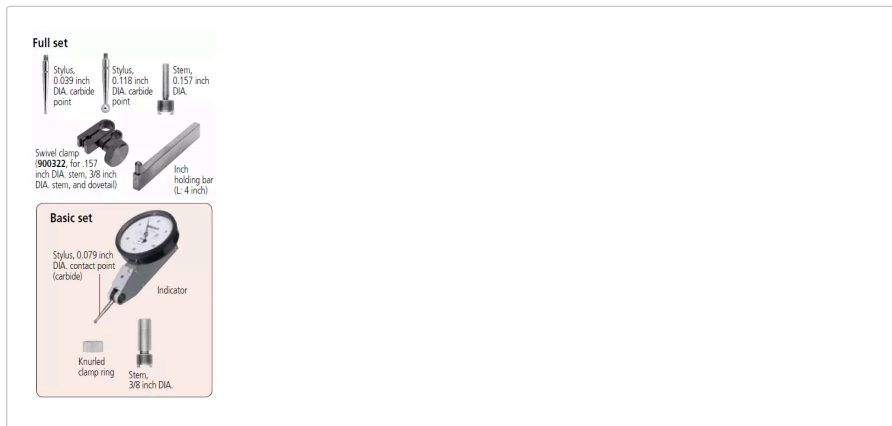


Dial Test Indicator, Horizontal Type

Item number: 513-407-10T

Images



Description

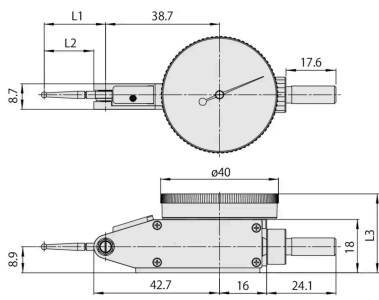
This is a Dial Test Indicator (Lever Type) which offers you the following benefits:

- Drastically enhanced durability, sensitivity and visibility.
- Glare-free flat crystal face allows easy reading of graduations.
- O-ring seal on the bezel has the effect of providing smooth rotation and prevents dust and oil from penetrating through to the dial face.
- The stylus length is on the dial face to reorder a replacement
- Multi-layer coatings on the crystal.

Features

Digital/Analog:	Analog
Inch-Metric:	Inch
Delivered:	In a box with stem $\varnothing 3/8"$ (9.52 mm) / 0.157" (4 mm), stylus $\varnothing 0.039"/0.079"/0.118"$, swivel clamp / holding bar
Range:	0,008 "
Dial reading:	0-4-0
Graduation:	0.00005"
H MPE (Hysteresis):	0.0001"
R MPE (Repeatability):	$\pm 0.00004"$
MPE first one revolution:	$\pm 0.0001"$
Measuring force:	0,01-0,3 N
Mass:	45 g
Contact point:	Thread M 1.7 x 0.35
Remarks:	Full set

Dimensions



L1: 19 mm

L2: 15.5 mm

L3: 26.8 mm

Accessories

Optional accessories:



Limit Hands (Green) 2 pcs.

Dial Indicator Series 1, Test Indicator
Art No. 21AAB363

Price on application

Standard accessories:



Stem for Standard Type Series 513

D=4mm

Art No. 21CAB106

Suggested retail price: 15.00 €*

Knurled Clamp Ring for Stem

Lever Indicator Serie 513

Art No. 190322

Suggested retail price: 12.00 €*



Art No. 21CZB064
Suggested retail price: 11.00 €*



Art No. 21CZB065
Suggested retail price: 10.00 €*



Art No. 21CZB066
Suggested retail price: 11.00 €*



Art No. 901162
Price on application

