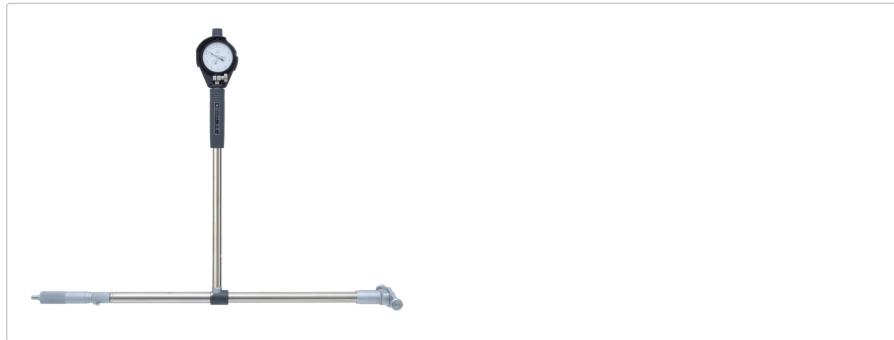


2-Point Inside Measuring Instrument

Item number: 511-858-20

Images



Description

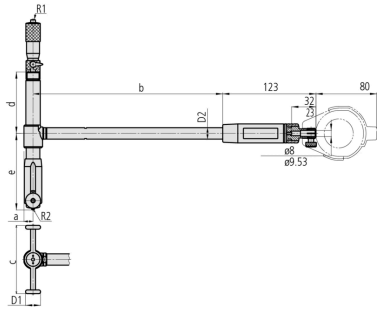
This is a micrometer head that enables measurements without interchangeable anvils. It offers you the following benefits:

- A long plunger stroke gives you amazing accuracy.
- Contact points are carbide (>18 mm range), giving you high durability and wear resistance.
- A large grip reduces heat transfer from the operator by 50%.
- Wide measuring range with sub-anvils.

Features

| | |
|--------------------------------|--|
| Digital/Analog: | Analog |
| Inch-Metric: | Inch |
| Range: | 24 - 32 " |
| Graduation: | 0.0001" |
| Measuring depth: | 10" |
| No. Dial Indicator: | 2923AB-10 |
| Micrometer Head stroke: | 2" |
| Accuracy: | 2 μ m |
| Repeatability: | 0,5 μ m |
| Sub anvils: | 2, 4" |
| Delivered: | In a box with bore gauge 511-838, dial indicator 2923AB-10, plastic cover for indicator 21DZA000, 2 sub-anvils, 2 spanner 200154 |
| Mass: | 1670 g |

Dimensions



- a:** 16 mm
- b:** 250 mm
- c:** 120 mm
- d:** 188.2 mm
- e:** 300.9 mm mm
- D1:** 19.8 mm
- D2:** 15 mm
- R1:** SR10
- R2:** SR1.5

Accessories

Optional accessories:



Digital Indicator, Bore Gauge ID-C

ASME/ANSI Type, Inch/Metric, 0,5", 0,00005", Flat Back Plate
 Art No. 543-312B-10
 Suggested retail price: 563.00 €*



Limit Hands (green) 2pcs

Dial Indicator Series 2/3/4
 Art No. 21AZB195
 Price on application



Extension Rod Serie 511

125mm, 15mm Rod Diameter
 Art No. 953557
 Suggested retail price: 257.00 €*

Extension Rod Serie 511

250mm, 15mm Rod Diameter

Art No. 952361

Suggested retail price: 264.00 €*



Extension Rod Serie 511

500mm, 15mm Rod Diameter

Art No. 953558

Suggested retail price: 622.00 €*



Extension Rod Serie 511

750mm, 15mm Rod Diameter

Art No. 953559

Suggested retail price: 815.00 €*



Extension Rod Serie 511

1000mm, 15mm Rod Diameter

Art No. 953560

Suggested retail price: 1,070.00 €*



Standard accessories:



2-Point Inside Measuring Instrument

Bore Gauge with Micrometer Head, 24-32",
w/o Indicator

Art No. 511-838

Suggested retail price: 1,048.00 €*



Dial Gauge, Flat Back, ANSI/AGD Type

Jewelled Bearing, Shockproof, 0,05", 0,0001"
Art No. 2923AB-10
Suggested retail price: 145.00 €*



Protector for Indicator (plastic cover)

Art No. 21DZA000
Suggested retail price: 20.00 €*



| Sub-anvil | Order No. | Material | Order No. | Sub-anvil | Order No. | Material | Order No. |
|-----------|-----------|-----------------------|-----------|-----------|-----------|-----------------------|-----------|
| 514-403 | 2150A267 | 15 mm x 10 mm x 10 mm | 208912 | 514-403 | 2150A272 | 15 mm x 10 mm x 10 mm | 208912 |
| 514-404 | 2150A268 | 15 mm x 10 mm x 10 mm | 208913 | 514-404 | 2150A273 | 15 mm x 10 mm x 10 mm | 208913 |
| 514-405 | 2150A269 | 15 mm x 10 mm x 10 mm | 208914 | 514-405 | 2150A274 | 15 mm x 10 mm x 10 mm | 208914 |
| 514-406 | 501118 | 15 mm x 10 mm x 10 mm | 208915 | 514-406 | 501118 | 15 mm x 10 mm x 10 mm | 208915 |
| 514-407 | 501120 | 15 mm x 10 mm x 10 mm | 208916 | 514-407 | 501120 | 15 mm x 10 mm x 10 mm | 208916 |
| 514-408 | 501122 | 15 mm x 10 mm x 10 mm | 208917 | 514-408 | 501122 | 15 mm x 10 mm x 10 mm | 208917 |

Micrometer Head Assy

511-837,-847,-857
Art No. 902313

Price on application

Sub Anvil 2"/511

Art No. 208929
Price on application



Sub Anvil 4"/511

Art No. 208933
Price on application



Spanner/102

Art No. 200154

Price on application

