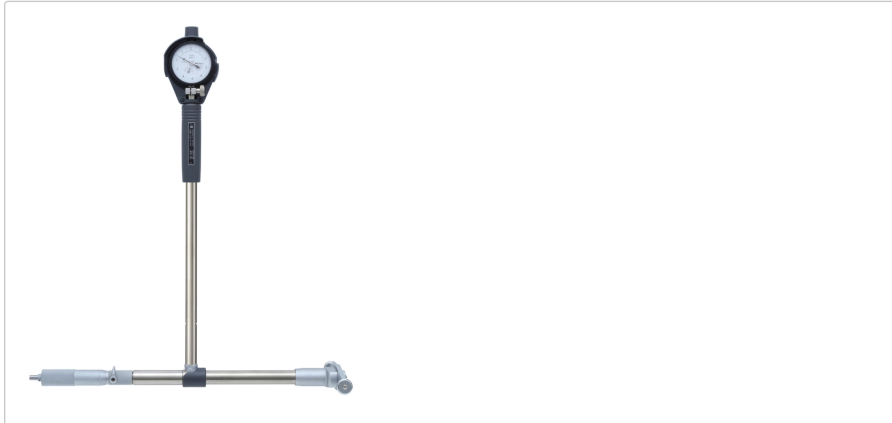


## 2-Point Inside Measuring Instrument

Item number: 511-857-20

### Images



### Description

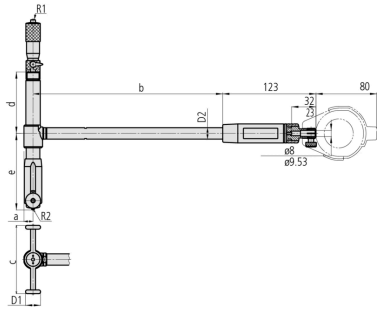
This is a micrometer head that enables measurements without interchangeable anvils. It offers you the following benefits:

- A long plunger stroke gives you amazing accuracy.
- Contact points are carbide (>18 mm range), giving you high durability and wear resistance.
- A large grip reduces heat transfer from the operator by 50%.
- Wide measuring range with sub-anvils.

### Features

<b>Digital/Analog:</b>	Analog
<b>Inch-Metric:</b>	Inch
<b>Range:</b>	16 - 24 "
<b>Graduation:</b>	0.0001"
<b>Measuring depth:</b>	10"
<b>No. Dial Indicator:</b>	2923AB-10
<b>Micrometer Head stroke:</b>	2"
<b>Accuracy:</b>	2 $\mu\text{m}$
<b>Repeatability:</b>	0,5 $\mu\text{m}$
<b>Sub anvils:</b>	2, 4"
<b>Delivered:</b>	In a box with bore gauge 511-837, dial indicator 2923AB-10, plastic cover for indicator 21DZA000, 2 sub-anvils, 2 spanner 200154
<b>Mass:</b>	1270 g

### Dimensions



- a:** 16 mm
- b:** 250 mm
- c:** 120 mm
- d:** 85 mm
- e:** 200.9 mm mm
- D1:** 19.8 mm
- D2:** 15 mm
- R1:** SR10
- R2:** SR1.5

**Accessories**

**Optional accessories:**



**Digital Indicator, Bore Gauge ID-C**

ASME/ANSI Type, Inch/Metric, 0,5", 0,00005", Flat Back Plate  
 Art No. 543-312B-10  
 Suggested retail price: 563.00 €\*



**Limit Hands (green) 2pcs**

Dial Indicator Series 2/3/4  
 Art No. 21AZB195  
 Price on application



**Extension Rod Serie 511**

125mm, 15mm Rod Diameter  
 Art No. 953557  
 Suggested retail price: 257.00 €\*

### Extension Rod Serie 511

250mm, 15mm Rod Diameter  
Art No. 952361  
Suggested retail price: 264.00 €\*



### Extension Rod Serie 511

500mm, 15mm Rod Diameter  
Art No. 953558  
Suggested retail price: 622.00 €\*



### Extension Rod Serie 511

750mm, 15mm Rod Diameter  
Art No. 953559  
Suggested retail price: 815.00 €\*



### Extension Rod Serie 511

1000mm, 15mm Rod Diameter  
Art No. 953560  
Suggested retail price: 1,070.00 €\*



Standard accessories:



### 2-Point Inside Measuring Instrument

Bore Gauge with Micrometer Head, 16-24",  
w/o Indicator  
Art No. 511-837  
Suggested retail price: 989.00 €\*



## Dial Gauge, Flat Back, ANSI/AGD Type

Jewelled Bearing, Shockproof, 0,05", 0,0001"  
Art No. 2923AB-10  
Suggested retail price: 145.00 €\*  
Suggested retail price: 145.00 €\*



## Protector for Indicator (plastic cover)

Art No. 21DZA000  
Suggested retail price: 20.00 €\*  
Suggested retail price: 20.00 €\*



## Micrometer Head Assy

511-837,-847,-857  
Art No. 902313

Price on application

Part No.	Order No.	Part Name	Unit	Part No.	Order No.	Part Name	Unit
511-801	2150A02	10 mm 1/2" 1/4"	1	511-801	2150A02	0.44 1/2" 1/4"	1
511-804	2150A08	15 mm 1/2" 1/4"	1	511-804	2150A08	0.44 1/2" 1/4"	1
511-805	2150A08	15 mm 1/2" 1/4"	1	511-805	2150A08	0.44 1/2" 1/4"	1
511-806	90110	25 mm 1" 1/4"	1	511-806	90110	1.00 1" 1/4"	1
511-807	90120	30 mm 1 1/2" 1/4"	1	511-807	90120	1.25 1 1/2" 1/4"	1
511-808	90130	38 mm 1 1/2" 1/4"	1	511-808	90130	1.50 1 1/2" 1/4"	1

## Sub Anvil 2"/511

Art No. 208929  
Price on application



## Sub Anvil 4"/511

Art No. 208933  
Price on application



## Spanner/102

Art No. 200154

Price on application

