

2-Point Inside Measuring Instrument

Item number: 511-846-20

Images



Description

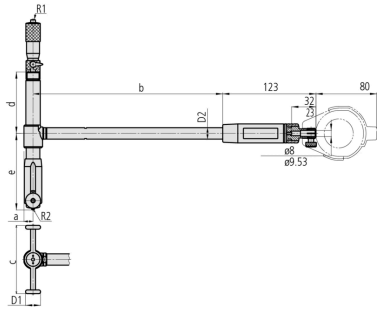
This is a micrometer head that enables measurements without interchangeable anvils. It offers you the following benefits:

- A long plunger stroke gives you amazing accuracy.
- Contact points are carbide (>18 mm range), giving you high durability and wear resistance.
- A large grip reduces heat transfer from the operator by 50%.
- Wide measuring range with sub-anvils.

Features

Digital/Analog:	Analog
Inch-Metric:	Inch
Range:	10 - 16 "
Graduation:	0.0005"
Measuring depth:	6"
No. Dial Indicator:	2922AB
Micrometer Head stroke:	1"
Accuracy:	2 μ m
Repeatability:	0,5 μ m
Sub anvils:	1, 2, 2"
Delivered:	In a box with bore gauge 511-836, dial indicator 2922AB, plastic cover for indicator 21DZA000, 3 sub-anvils, 2 spanner 200154
Mass:	950 g

Dimensions



a: 12 mm

b: 250 mm

c: 90 mm

d: 81 mm

e: 100.9 mm mm

D1: 19.8 mm

D2: 15 mm

R1: SR10

R2: SR1.5

Accessories

Optional accessories:



Digital Indicator, Bore Gauge ID-C

ASME/ANSI Type, Inch/Metric, 0,5", 0,00005",
Flat Back Plate
Art No. 543-312B-10
Suggested retail price: 563.00 €*



Limit Hands (green) 2pcs

Dial Indicator Series 2/3/4
Art No. 21AZB195
Price on application



Extension Rod Serie 511

125mm, 15mm Rod Diameter
Art No. 953557
Suggested retail price: 257.00 €*

Extension Rod Serie 511

250mm, 15mm Rod Diameter

Art No. 952361

Suggested retail price: 264.00 €*



Extension Rod Serie 511

500mm, 15mm Rod Diameter

Art No. 953558

Suggested retail price: 622.00 €*



Extension Rod Serie 511

750mm, 15mm Rod Diameter

Art No. 953559

Suggested retail price: 815.00 €*



Extension Rod Serie 511

1000mm, 15mm Rod Diameter

Art No. 953560

Suggested retail price: 1,070.00 €*



Standard accessories:



2-Point Inside Measuring Instrument

Bore Gauge with Micrometer Head, 10-16",
w/o Indicator

Art No. 511-836

Suggested retail price: 701.00 €*
*



Dial Gauge, Flat Back, ANSI/AGD Type

0,125", 0,0005"

Art No. 2922AB

Suggested retail price: 107.00 €*
*



Protector for Indicator (plastic cover)

Art No. 21DZA000

Suggested retail price: 20.00 €*
*

Sub Anvil 1"/511

Art No. 208927

Price on application



Sub Anvil 2"/511

Art No. 208929

Price on application



Spanner/102

Art No. 200154

Price on application

