

## 2-Point Inside Measuring Instrument

Item number: 511-845-20

### Images



### Description

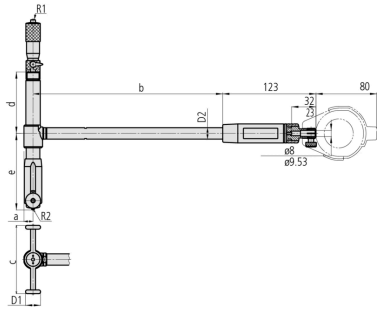
This is a micrometer head that enables measurements without interchangeable anvils. It offers you the following benefits:

- A long plunger stroke gives you amazing accuracy.
- Contact points are carbide (>18 mm range), giving you high durability and wear resistance.
- A large grip reduces heat transfer from the operator by 50%.
- Wide measuring range with sub-anvils.

### Features

<b>Digital/Analog:</b>	Analog
<b>Inch-Metric:</b>	Inch
<b>Range:</b>	6 - 10 "
<b>Graduation:</b>	0.0005"
<b>Measuring depth:</b>	6"
<b>No. Dial Indicator:</b>	2922AB
<b>Micrometer Head stroke:</b>	0.5"
<b>Accuracy:</b>	2 $\mu$ m
<b>Repeatability:</b>	0,5 $\mu$ m
<b>Sub anvils:</b>	0.4, 0.8, 0.8, 2"
<b>Delivered:</b>	In a box with bore gauge 511-835, dial indicator 2922AB, plastic cover for indicator 21DZA000, 4 sub-anvils, 2 spanner 301336
<b>Mass:</b>	850 g

### Dimensions



- a:** 12 mm
- b:** 250 mm
- c:** 78 mm
- d:** 25.9 mm
- e:** 70.3 mm mm
- D1:** 19.8 mm
- D2:** 15 mm
- R1:** SR10
- R2:** SR1.5

**Accessories**

**Optional accessories:**



**Digital Indicator, Bore Gauge ID-C**

ASME/ANSI Type, Inch/Metric, 0,5", 0,00005", Flat Back Plate  
 Art No. 543-312B-10  
 Suggested retail price: 563.00 €\*



**Limit Hands (green) 2pcs**

Dial Indicator Series 2/3/4  
 Art No. 21AZB195  
 Price on application



**Extension Rod Serie 511**

125mm, 15mm Rod Diameter  
 Art No. 953557  
 Suggested retail price: 257.00 €\*

### Extension Rod Serie 511

250mm, 15mm Rod Diameter

Art No. 952361

Suggested retail price: 264.00 €\*  

---



### Extension Rod Serie 511

500mm, 15mm Rod Diameter

Art No. 953558

Suggested retail price: 622.00 €\*  

---



### Extension Rod Serie 511

750mm, 15mm Rod Diameter

Art No. 953559

Suggested retail price: 815.00 €\*  

---



### Extension Rod Serie 511

1000mm, 15mm Rod Diameter

Art No. 953560

Suggested retail price: 1,070.00 €\*  

---



Standard accessories:



## 2-Point Inside Measuring Instrument

Bore Gauge with Micrometer Head, 6-10",  
w/o Indicator  
Art No. 511-835  
Suggested retail price: 594.00 €\*  
\*



## Dial Gauge, Flat Back, ANSI/AGD Type

0,125", 0,0005"  
Art No. 2922AB  
Suggested retail price: 107.00 €\*  
\*



## Protector for Indicator (plastic cover)

Art No. 21DZA000  
Suggested retail price: 20.00 €\*  
\*

## Sub Anvil .4"/511

Art No. 208893  
Price on application



## Sub Anvil .8"/511

Art No. 208895

Price on application



## Sub-Anvil 2"

511-835

Art No. 21DAA493

Price on application



## Spanner R=7,3/4,5mm

Micrometer

Art No. 301336

Suggested retail price: 7.00 €\*  
\*Suggested retail price is for reference only. Actual price may vary.

