

## 2-Point Inside Measuring Instrument

Item number: 511-844-20

### Images



### Description

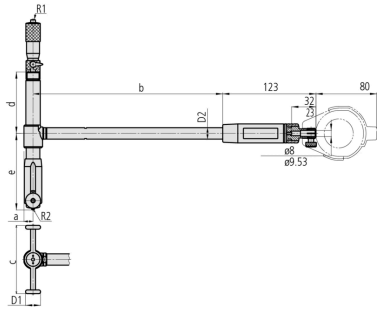
This is a micrometer head that enables measurements without interchangeable anvils. It offers you the following benefits:

- A long plunger stroke gives you amazing accuracy.
- Contact points are carbide (>18 mm range), giving you high durability and wear resistance.
- A large grip reduces heat transfer from the operator by 50%.
- Wide measuring range with sub-anvils.

### Features

<b>Digital/Analog:</b>	Analog
<b>Inch-Metric:</b>	Inch
<b>Range:</b>	4 - 6.4 "
<b>Graduation:</b>	0.0005"
<b>Measuring depth:</b>	6"
<b>No. Dial Indicator:</b>	2922AB
<b>Micrometer Head stroke:</b>	0.5"
<b>Accuracy:</b>	2 $\mu$ m
<b>Repeatability:</b>	0,5 $\mu$ m
<b>Sub anvils:</b>	0.4, 0.8, 0.8"
<b>Delivered:</b>	In a box with bore gauge 511-834, dial indicator 2922AB, plastic cover for indicator 21DZA000, 3 sub-anvils, 2 spanner 301336
<b>Mass:</b>	480 g

### Dimensions



- a:** 9 mm
- b:** 150 mm
- c:** 50 mm
- d:** 16.5 mm
- e:** 28.9 mm mm
- D1:** 12.8 mm
- D2:** 12 mm
- R1:** SR10
- R2:** SR1.0

## Accessories

### Optional accessories:



### Digital Indicator, Bore Gauge ID-C

ASME/ANSI Type, Inch/Metric, 0,5", 0,00005", Flat Back Plate  
 Art No. 543-312B-10  
 Suggested retail price: 563.00 €\*



### Limit Hands (green) 2pcs

Dial Indicator Series 2/3/4  
 Art No. 21AZB195  
 Price on application



### Extension Rod Serie 511

125mm, 12mm Rod Diameter  
 Art No. 953552  
 Suggested retail price: 251.00 €\*

### Extension Rod Serie 511

250mm, 12mm Rod Diameter  
Art No. 953553  
Suggested retail price: 275.00 €\*  

---



### Extension Rod Serie 511

500mm, 12mm Rod Diameter  
Art No. 953554  
Suggested retail price: 493.00 €\*  

---



### Extension Rod Serie 511

750mm, 12mm Rod Diameter  
Art No. 953555  
Suggested retail price: 655.00 €\*  

---



### Extension Rod Serie 511

1000mm, 12mm Rod Diameter  
Art No. 953556  
Suggested retail price: 907.00 €\*  

---



Standard accessories:

### 2-Point Inside Measuring Instrument

Bore Gauge with Micrometer Head, 4-6,4",  
w/o Indicator  
Art No. 511-834  
Suggested retail price: 500.00 €\*  

---





### Dial Gauge, Flat Back, ANSI/AGD Type

0,125", 0,0005"  
Art No. 2922AB  
Suggested retail price: 107.00 €\*



### Protector for Indicator (plastic cover)

Art No. 21DZA000  
Suggested retail price: 20.00 €\*

### Sub Anvil .4"/511

Art No. 208893  
Price on application



### Sub Anvil .8"/511

Art No. 208895  
Price on application



### Spanner R=7,3/4,5mm

Micrometer  
Art No. 301336  
Suggested retail price: 7.00 €\*



