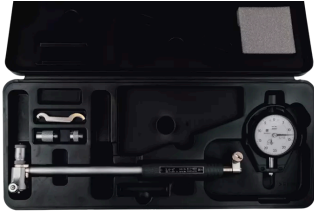


2-Point Inside Measuring Instrument

Item number: 511-843-20

Images



Description

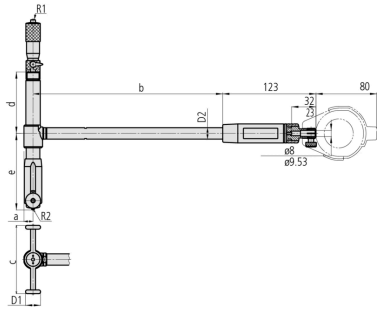
This is a micrometer head that enables measurements without interchangeable anvils. It offers you the following benefits:

- A long plunger stroke gives you amazing accuracy.
- Contact points are carbide (>18 mm range), giving you high durability and wear resistance.
- A large grip reduces heat transfer from the operator by 50%.
- Wide measuring range with sub-anvils.

Features

Digital/Analog:	Analog
Inch-Metric:	Inch
Range:	2.4 - 4 "
Graduation:	0.0005"
Measuring depth:	6"
No. Dial Indicator:	2922AB
Micrometer Head stroke:	0.4"
Accuracy:	2 μ m
Repeatability:	0,5 μ m
Sub anvils:	0.4, 0.8"
Delivered:	In a box with bore gauge 511-833, dial indicator 2922AB, plastic cover for indicator 21DZA000, 2 sub-anvils, spanner 301336 (2 pcs.) / 202863
Mass:	430 g

Dimensions



- a:** 9 mm
- b:** 150 mm
- c:** 38 mm
- d:** 7 mm
- e:** 28.9 mm mm
- D1:** 12.8 mm
- D2:** 12 mm
- R1:** SR8
- R2:** SR1.0

Accessories

Optional accessories:



Digital Indicator, Bore Gauge ID-C

ASME/ANSI Type, Inch/Metric, 0,5", 0,00005", Flat Back Plate
 Art No. 543-312B-10
 Suggested retail price: 563.00 €*



Limit Hands (green) 2pcs

Dial Indicator Series 2/3/4
 Art No. 21AZB195
 Price on application



Extension Rod Serie 511

125mm, 12mm Rod Diameter
 Art No. 953552
 Suggested retail price: 251.00 €*

Extension Rod Serie 511

250mm, 12mm Rod Diameter
Art No. 953553
Suggested retail price: 275.00 €*



Extension Rod Serie 511

500mm, 12mm Rod Diameter
Art No. 953554
Suggested retail price: 493.00 €*



Extension Rod Serie 511

750mm, 12mm Rod Diameter
Art No. 953555
Suggested retail price: 655.00 €*



Extension Rod Serie 511

1000mm, 12mm Rod Diameter
Art No. 953556
Suggested retail price: 907.00 €*



Standard accessories:



2-Point Inside Measuring Instrument

Bore Gauge with Micrometer Head, 2,4-4",
w/o Indicator
Art No. 511-833
Suggested retail price: 445.00 €*



Dial Gauge, Flat Back, ANSI/AGD Type

0,125", 0,0005"
Art No. 2922AB
Suggested retail price: 107.00 €*



Protector for Indicator (plastic cover)

Art No. 21DZA000
Suggested retail price: 20.00 €*

Sub Anvil .4"/511

Art No. 208893
Price on application



Sub Anvil .8"/511

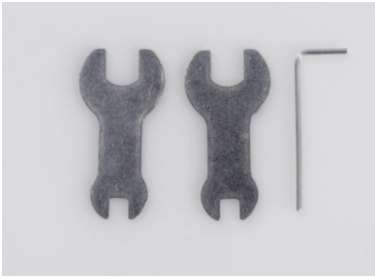
Art No. 208895
Price on application



Spanner R=7,3/4,5mm

Micrometer
Art No. 301336
Suggested retail price: 7.00 €*





Hex-Spanner/129

Art No. 202863

Price on application