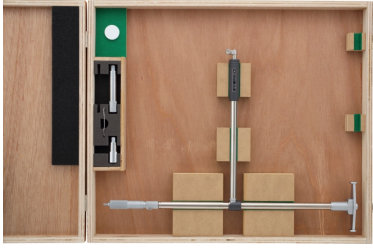


# 2-Point Inside Measuring Instrument

Item number: 511-838

## Images



## Description

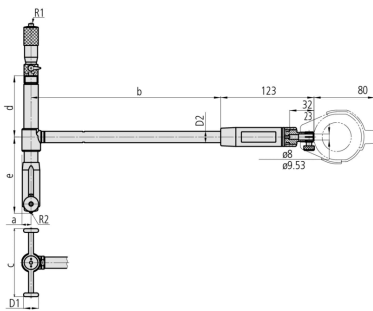
This is a micrometer head that enables measurements without interchangeable anvils. It offers you the following benefits:

- A long plunger stroke gives you amazing accuracy.
- Contact points are carbide (>18 mm range), giving you high durability and wear resistance.
- A large grip reduces heat transfer from the operator by 50%.
- Wide measuring range with sub-anvils.

## Features

<b>Digital/Analog:</b>	Analog
<b>Accuracy:</b>	2 $\mu\text{m}$
<b>Repeatability:</b>	0,5 $\mu\text{m}$
<b>Delivered:</b>	In a box with 2 sub-anvils, 2 spanner 200154

## Dimensions



- a:** 16 mm
- b:** 250 mm
- c:** 120 mm
- d:** 188.2 mm
- e:** 300.9 mm mm
- D1:** 19.8 mm
- D2:** 15 mm
- R1:** SR10
- R2:** SR1.5

## Accessories

Optional accessories:



## Digital Indicator, Bore Gauge ID-C

ASME/ANSI Type, Inch/Metric, 0,5", 0,00005",  
Flat Back Plate  
Art No. 543-312B-10  
Suggested retail price: 563.00 €\*  
Suggested retail price: 563.00 €\*



## Limit Hands (green) 2pcs

Dial Indicator Series 2/3/4  
Art No. 21AZB195  
Price on application



## Extension Rod Serie 511

125mm, 15mm Rod Diameter  
Art No. 953557  
Suggested retail price: 257.00 €\*  
Suggested retail price: 257.00 €\*



## Extension Rod Serie 511

250mm, 15mm Rod Diameter  
Art No. 952361  
Suggested retail price: 264.00 €\*  
Suggested retail price: 264.00 €\*



## Extension Rod Serie 511

500mm, 15mm Rod Diameter  
Art No. 953558  
Suggested retail price: 622.00 €\*  
Suggested retail price: 622.00 €\*

## Extension Rod Serie 511

750mm, 15mm Rod Diameter

Art No. 953559

Suggested retail price: 815.00 €\*  


## Extension Rod Serie 511

1000mm, 15mm Rod Diameter

Art No. 953560

Suggested retail price: 1,070.00 €\*  


### Standard accessories:

## Micrometer Head Assy

511-837,-847,-857

Art No. 902313

Price on application



Metric				Imperial			
Part No.	Part Name	QTY	Unit Price	Part No.	Part Name	QTY	Unit Price
511-837	Micrometer Head	1	815.00	511-837	Micrometer Head	1	815.00
511-847	Micrometer Head	1	815.00	511-847	Micrometer Head	1	815.00
511-857	Micrometer Head	1	815.00	511-857	Micrometer Head	1	815.00

## Sub Anvil 2"/511

Art No. 208929

Price on application



## Sub Anvil 4"/511

Art No. 208933

Price on application



## Spanner/102

Art No. 200154

Price on application

