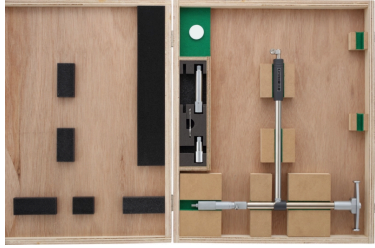


2-Point Inside Measuring Instrument

Item number: 511-837

Images



Description

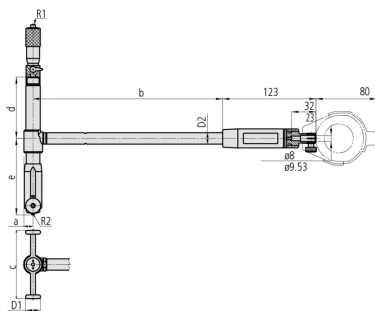
This is a micrometer head that enables measurements without interchangeable anvils. It offers you the following benefits:

- A long plunger stroke gives you amazing accuracy.
- Contact points are carbide (>18 mm range), giving you high durability and wear resistance.
- A large grip reduces heat transfer from the operator by 50%.
- Wide measuring range with sub-anvils.

Features

Digital/Analog:	Analog
Accuracy:	2 μm
Repeatability:	0,5 μm
Delivered:	In a box with 2 sub-anvils, 2 spanner 200154

Dimensions



a: 16 mm

b: 250 mm

c: 120 mm

d: 85 mm

e: 200.9 mm mm

D1: 19.8 mm

D2: 15 mm

R1: SR10

R2: SR1.5

Accessories

Optional accessories:



Digital Indicator, Bore Gauge ID-C

ASME/ANSI Type, Inch/Metric, 0,5", 0,00005",
Flat Back Plate
Art No. 543-312B-10
Suggested retail price: 563.00 €*



Limit Hands (green) 2pcs

Dial Indicator Series 2/3/4
Art No. 21AZB195
Price on application



Extension Rod Serie 511

125mm, 15mm Rod Diameter
Art No. 953557
Suggested retail price: 257.00 €*



Extension Rod Serie 511

250mm, 15mm Rod Diameter
Art No. 952361
Suggested retail price: 264.00 €*



Extension Rod Serie 511

500mm, 15mm Rod Diameter
Art No. 953558
Suggested retail price: 622.00 €*

Extension Rod Serie 511

750mm, 15mm Rod Diameter

Art No. 953559

Suggested retail price: 815.00 €*


Extension Rod Serie 511

1000mm, 15mm Rod Diameter

Art No. 953560

Suggested retail price: 1,070.00 €*


Standard accessories:

Micrometer Head Assy

511-837,-847,-857

Art No. 902313

Price on application



Metric				Imperial			
Part No.	Part Description	QTY	Unit Price	Part No.	Part Description	QTY	Unit Price
511-837	511-837-837	1	200104	511-837	511-837-837	1	200104
511-847	511-847-847	1	200104	511-847	511-847-847	1	200104
511-857	511-857-857	1	200104	511-857	511-857-857	1	200104

Sub Anvil 2"/511

Art No. 208929

Price on application



Sub Anvil 4"/511

Art No. 208933

Price on application



Spanner/102

Art No. 200154

Price on application

