

# 2-Point Inside Measuring Instrument

Item number: 511-833

## Images



## Description

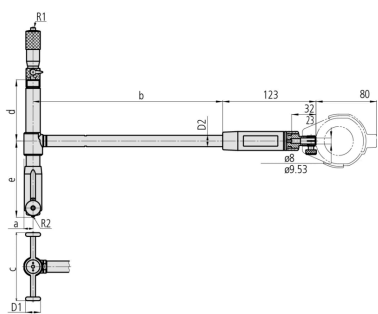
This is a micrometer head that enables measurements without interchangeable anvils. It offers you the following benefits:

- A long plunger stroke gives you amazing accuracy.
- Contact points are carbide (>18 mm range), giving you high durability and wear resistance.
- A large grip reduces heat transfer from the operator by 50%.
- Wide measuring range with sub-anvils.

## Features

<b>Digital/Analog:</b>	Analog
<b>Range:</b>	2.4 - 4.0 "
<b>Accuracy:</b>	2 $\mu\text{m}$
<b>Repeatability:</b>	0,5 $\mu\text{m}$
<b>Delivered:</b>	In a box with 2 sub-anvils, spanner 301336 (2 pcs.) / 202863

## Dimensions



- a:** 9 mm
- b:** 150 mm
- c:** 38 mm
- d:** 7 mm
- e:** 28.9 mm
- D1:** 12.8 mm
- D2:** 12 mm
- R1:** SR8
- R2:** SR1.0

## Accessories

Optional accessories:



## Digital Indicator, Bore Gauge ID-C

ASME/ANSI Type, Inch/Metric, 0,5", 0,00005",  
Flat Back Plate  
Art No. 543-312B-10  
Suggested retail price: 563.00 €\*  
Suggested retail price: 563.00 €\*



## Limit Hands (green) 2pcs

Dial Indicator Series 2/3/4  
Art No. 21AZB195  
Price on application



## Extension Rod Serie 511

125mm, 12mm Rod Diameter  
Art No. 953552  
Suggested retail price: 251.00 €\*  
Suggested retail price: 251.00 €\*



## Extension Rod Serie 511

250mm, 12mm Rod Diameter  
Art No. 953553  
Suggested retail price: 275.00 €\*  
Suggested retail price: 275.00 €\*



## Extension Rod Serie 511

500mm, 12mm Rod Diameter  
Art No. 953554  
Suggested retail price: 493.00 €\*  
Suggested retail price: 493.00 €\*

## Extension Rod Serie 511

750mm, 12mm Rod Diameter

Art No. 953555

Suggested retail price: 655.00 €\*  


## Extension Rod Serie 511

1000mm, 12mm Rod Diameter

Art No. 953556

Suggested retail price: 907.00 €\*  


### Standard accessories:

## Sub Anvil .4"/511

Art No. 208893

Price on application  


## Sub Anvil .8"/511

Art No. 208895

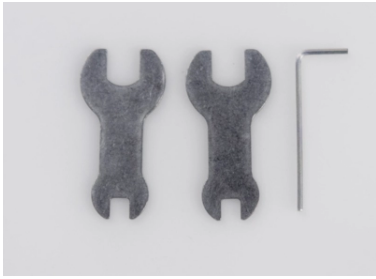
Price on application  


## Spanner R=7,3/4,5mm

Micrometer

Art No. 301336

Suggested retail price: 7.00 €\*  

## Hex-Spanner/129

Art No. 202863

Price on application