

## 2-Point Inside Measuring Instrument

Item number: 511-826-20

### Images



### Description

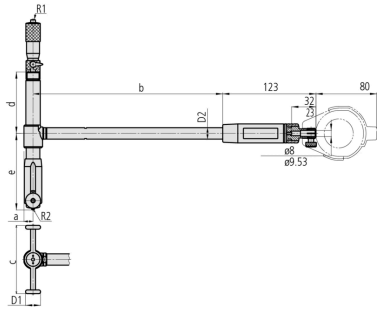
This is a micrometer head that enables measurements without interchangeable anvils. It offers you the following benefits:

- A long plunger stroke gives you amazing accuracy.
- Contact points are carbide (>18 mm range), giving you high durability and wear resistance.
- A large grip reduces heat transfer from the operator by 50%.
- Wide measuring range with sub-anvils.

### Features

<b>Digital/Analog:</b>	Analog
<b>Inch-Metric:</b>	Metric
<b>Range:</b>	250 - 400 mm
<b>Graduation:</b>	0.001 mm
<b>Measuring depth:</b>	150 mm
<b>No. Dial Indicator:</b>	2109AB-10
<b>Micrometer Head stroke:</b>	25 mm
<b>Accuracy:</b>	2 $\mu$ m
<b>Repeatability:</b>	0,5 $\mu$ m
<b>Sub anvils:</b>	25, 50, 50 mm
<b>Delivered:</b>	In a box with bore gauge 511-806, dial indicator 2109AB-10, plastic cover for indicator 21DZA000, 3 sub-anvils, 2 spanner 200154
<b>Mass:</b>	950 g

### Dimensions



- a:** 12 mm
- b:** 250 mm
- c:** 90 mm
- d:** 81 mm
- e:** 100.9 mm
- D1:** 19.8 mm
- D2:** 15 mm
- R1:** SR10
- R2:** SR1.5

**Accessories**

**Optional accessories:**



**Digital Indicator, Bore Gauge ID-C**

12,7mm, 0,001mm, Flat Back Plate  
 Art No. 543-310B-10  
 Suggested retail price: 563.00 €\*



**Limit Hands (green) 2pcs**

Dial Indicator Series 2/3/4  
 Art No. 21AZB195  
 Price on application



**Extension Rod Serie 511**

125mm, 15mm Rod Diameter  
 Art No. 953557  
 Suggested retail price: 257.00 €\*

### Extension Rod Serie 511

250mm, 15mm Rod Diameter

Art No. 952361

Suggested retail price: 264.00 €\*  

---



### Extension Rod Serie 511

500mm, 15mm Rod Diameter

Art No. 953558

Suggested retail price: 622.00 €\*  

---



### Extension Rod Serie 511

750mm, 15mm Rod Diameter

Art No. 953559

Suggested retail price: 815.00 €\*  

---



### Extension Rod Serie 511

1000mm, 15mm Rod Diameter

Art No. 953560

Suggested retail price: 1,070.00 €\*  

---



Standard accessories:  

---



### 2-Point Inside Measuring Instrument

Bore Gauge with Micrometer Head, 250-400mm, w/o Indicator

Art No. 511-806

Suggested retail price: 674.00 €\*  

---



## Dial Gauge, Flat Back, ISO Type

Jewelled Bearing, Shockproof, 1mm, 0,001mm  
 Art No. 2109AB-10  
 Suggested retail price: 106.00 €\*



## Protector for Indicator (plastic cover)

Art No. 21DZA000  
 Suggested retail price: 20.00 €\*



## Micrometer Head

511-313  
 Art No. 953118  
 Price on application

Order No.	Technical Data	Order No.	Technical Data
511-803	2102427 10 mm 0,001 mm 20 mm 20000	511-803	2102427 0.4 mm 0,001 mm 20 mm 20000
511-804	2102428 15 mm 0,001 mm 20 mm 20000	511-804	2102428 0.6 mm 0,001 mm 20 mm 20000
511-805	2102429 20 mm 0,001 mm 20 mm 20000	511-805	2102429 0.8 mm 0,001 mm 20 mm 20000
511-806	2102430 25 mm 0,001 mm 20 mm 20000	511-806	2102430 1.0 mm 0,001 mm 20 mm 20000
511-807	2102431 30 mm 0,001 mm 20 mm 20000	511-807	2102431 1.2 mm 0,001 mm 20 mm 20000
511-808	2102432 35 mm 0,001 mm 20 mm 20000	511-808	2102432 1.4 mm 0,001 mm 20 mm 20000

## Sub Anvil 25mm/511

Art No. 208926  
 Price on application



## Sub Anvil 50mm/511

Art No. 208928  
 Price on application



## Spanner/102

Art No. 200154

Price on application

