

2-Point Inside Measuring Instrument

Item number: 511-825-20

Images



Description

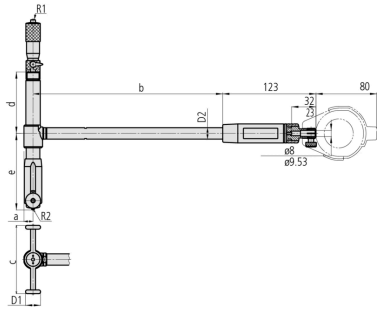
This is a micrometer head that enables measurements without interchangeable anvils. It offers you the following benefits:

- A long plunger stroke gives you amazing accuracy.
- Contact points are carbide (>18 mm range), giving you high durability and wear resistance.
- A large grip reduces heat transfer from the operator by 50%.
- Wide measuring range with sub-anvils.

Features

Digital/Analog:	Analog
Inch-Metric:	Metric
Range:	150 - 250 mm
Graduation:	0.001 mm
Measuring depth:	150 mm
No. Dial Indicator:	2109AB-10
Micrometer Head stroke:	13 mm
Accuracy:	2 μm
Repeatability:	0,5 μm
Sub anvils:	10, 20, 20, 50 mm
Delivered:	In a box with bore gauge 511-805, dial indicator 2109AB-10, plastic cover for indicator 21DZA000, 4 sub-anvils, 2 spanner 301336
Mass:	850 g

Dimensions



- a:** 12 mm
- b:** 250 mm
- c:** 78 mm
- d:** 25.1 mm
- e:** 70.3 mm
- D1:** 19.8 mm
- D2:** 15 mm
- R1:** SR10
- R2:** SR1.5

Accessories

Optional accessories:



Digital Indicator, Bore Gauge ID-C

12,7mm, 0,001mm, Flat Back Plate
 Art No. 543-310B-10
 Suggested retail price: 563.00 €*



Limit Hands (green) 2pcs

Dial Indicator Series 2/3/4
 Art No. 21AZB195
 Price on application



Extension Rod Serie 511

125mm, 15mm Rod Diameter
 Art No. 953557
 Suggested retail price: 257.00 €*

Extension Rod Serie 511

250mm, 15mm Rod Diameter

Art No. 952361

Suggested retail price: 264.00 €*



Extension Rod Serie 511

500mm, 15mm Rod Diameter

Art No. 953558

Suggested retail price: 622.00 €*



Extension Rod Serie 511

750mm, 15mm Rod Diameter

Art No. 953559

Suggested retail price: 815.00 €*



Extension Rod Serie 511

1000mm, 15mm Rod Diameter

Art No. 953560

Suggested retail price: 1,070.00 €*



Standard accessories:



2-Point Inside Measuring Instrument

Bore Gauge with Micrometer Head, 150-250mm, w/o Indicator
 Art No. 511-805
 Suggested retail price: 567.00 €*



Dial Gauge, Flat Back, ISO Type

Jewelled Bearing, Shockproof, 1mm, 0,001mm
 Art No. 2109AB-10
 Suggested retail price: 106.00 €*



Protector for Indicator (plastic cover)

Art No. 21DZA000
 Suggested retail price: 20.00 €*

Scale
 0.01 0.02 0.05 0.1 0.2 0.5 1 2 5 10 20 50 100 200 500 1000

Metric				Imperial			
Order No.	Capacity	Resolution	Scale	Order No.	Capacity	Resolution	Scale
511-801	250mm	0.01mm	0-250	511-801	10.0000"	0.0001"	0-10.0000"
511-802	250mm	0.02mm	0-250	511-802	10.0000"	0.0002"	0-10.0000"
511-803	250mm	0.05mm	0-250	511-803	10.0000"	0.0005"	0-10.0000"
511-804	250mm	0.1mm	0-250	511-804	10.0000"	0.0010"	0-10.0000"
511-805	250mm	0.2mm	0-250	511-805	10.0000"	0.0020"	0-10.0000"
511-806	250mm	0.5mm	0-250	511-806	10.0000"	0.0050"	0-10.0000"
511-807	250mm	1.0mm	0-250	511-807	10.0000"	0.0100"	0-10.0000"
511-808	250mm	2.0mm	0-250	511-808	10.0000"	0.0200"	0-10.0000"

Micrometer Head

511-815
 Art No. 21DZA268
 Price on application

Sub Anvil 10mm/511

Art No. 208892

Price on application



Sub Anvil 20mm/511

Art No. 208894

Price on application



Sub-Anvil 50mm

511-805

Art No. 21DAA492

Price on application



Spanner R=7,3/4,5mm

Micrometer

Art No. 301336

Suggested retail price: 7.00 €*
*

