

2-Point Inside Measuring Instrument

Item number: 511-824-20

Images



Description

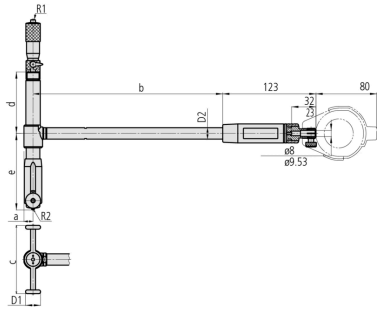
This is a micrometer head that enables measurements without interchangeable anvils. It offers you the following benefits:

- A long plunger stroke gives you amazing accuracy.
- Contact points are carbide (>18 mm range), giving you high durability and wear resistance.
- A large grip reduces heat transfer from the operator by 50%.
- Wide measuring range with sub-anvils.

Features

Digital/Analog:	Analog
Inch-Metric:	Metric
Range:	100 - 160 mm
Graduation:	0.001 mm
Measuring depth:	150 mm
No. Dial Indicator:	2109AB-10
Micrometer Head stroke:	13 mm
Accuracy:	2 μ m
Repeatability:	0,5 μ m
Sub anvils:	10, 20, 20 mm
Delivered:	In a box with bore gauge 511-804, dial indicator 2109AB-10, plastic cover for indicator 21DZA000, 3 sub-anvils, 2 spanner 301336
Mass:	480 g

Dimensions



- a:** 9 mm
- b:** 150 mm
- c:** 50 mm
- d:** 16.5 mm
- e:** 28.9 mm
- D1:** 12.8 mm
- D2:** 12 mm
- R1:** SR10
- R2:** SR1.0

Accessories

Optional accessories:



Digital Indicator, Bore Gauge ID-C

12,7mm, 0,001mm, Flat Back Plate
 Art No. 543-310B-10
 Suggested retail price: 563.00 €*



Limit Hands (green) 2pcs

Dial Indicator Series 2/3/4
 Art No. 21AZB195
 Price on application



Extension Rod Serie 511

125mm, 12mm Rod Diameter
 Art No. 953552
 Suggested retail price: 251.00 €*

Extension Rod Serie 511

250mm, 12mm Rod Diameter
Art No. 953553
Suggested retail price: 275.00 €*



Extension Rod Serie 511

500mm, 12mm Rod Diameter
Art No. 953554
Suggested retail price: 493.00 €*



Extension Rod Serie 511

750mm, 12mm Rod Diameter
Art No. 953555
Suggested retail price: 655.00 €*



Extension Rod Serie 511

1000mm, 12mm Rod Diameter
Art No. 953556
Suggested retail price: 907.00 €*



Standard accessories:

2-Point Inside Measuring Instrument

Bore Gauge with Micrometer Head, 100-160mm, w/o Indicator
Art No. 511-804
Suggested retail price: 479.00 €*





Dial Gauge, Flat Back, ISO Type

Jewelled Bearing, Shockproof, 1mm, 0,001mm

Art No. 2109AB-10

Suggested retail price: 106.00 €*



Protector for Indicator (plastic cover)

Art No. 21DZA000

Suggested retail price: 20.00 €*

Sub-anvil
10mm, 20mm, 30mm, 40mm, 50mm, 60mm, 70mm, 80mm, 90mm, 100mm

Order No.	Sub-anvil	Material	Order No.	Sub-anvil	Material
511-803	10mm	208892	511-803	10mm	208892
511-804	20mm	208893	511-804	20mm	208893
511-805	30mm	208894	511-805	30mm	208894
511-806	40mm	208895	511-806	40mm	208895
511-807	50mm	208896	511-807	50mm	208896
511-808	60mm	208897	511-808	60mm	208897
511-809	70mm	208898	511-809	70mm	208898
511-810	80mm	208899	511-810	80mm	208899
511-811	90mm	208900	511-811	90mm	208900
511-812	100mm	208901	511-812	100mm	208901

Micrometer Head

511-815

Art No. 21DZA268

Price on application

Sub Anvil 10mm/511

Art No. 208892

Price on application



Sub Anvil 20mm/511

Art No. 208894

Price on application



Spanner R=7,3/4,5mm

Micrometer

Art No. 301336

Suggested retail price: 7.00 €*

