

2-Point Inside Measuring Instrument

Item number: 511-818-20

Images



Description

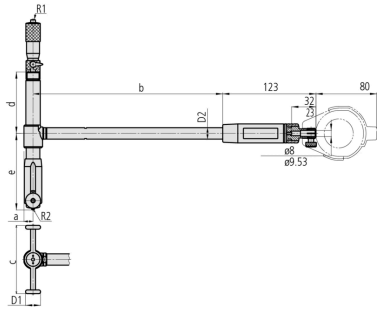
This is a micrometer head that enables measurements without interchangeable anvils. It offers you the following benefits:

- A long plunger stroke gives you amazing accuracy.
- Contact points are carbide (>18 mm range), giving you high durability and wear resistance.
- A large grip reduces heat transfer from the operator by 50%.
- Wide measuring range with sub-anvils.

Features

Digital/Analog:	Analog
Inch-Metric:	Metric
Range:	600 - 800 mm
Graduation:	0.01 mm
Measuring depth:	250 mm
No. Dial Indicator:	2046AB
Micrometer Head stroke:	50 mm
Accuracy:	2 μ m
Repeatability:	0,5 μ m
Sub anvils:	50, 100 mm
Delivered:	In a box with bore gauge 511-808, dial indicator 2046AB, plastic cover for indicator 21DZA000, 2 sub-anvils, 2 spanner 200154
Mass:	1670 g

Dimensions



- a:** 16 mm
- b:** 250 mm
- c:** 120 mm
- d:** 185 mm
- e:** 300.9 mm
- D1:** 19.8 mm
- D2:** 15 mm
- R1:** SR10
- R2:** SR1.5

Accessories

Optional accessories:



Digital Indicator, Bore Gauge ID-C

12,7mm, 0,001mm, Flat Back Plate
 Art No. 543-310B-10
 Suggested retail price: 563.00 €*



Limit Hands (green) 2pcs

Dial Indicator Series 2/3/4
 Art No. 21AZB195
 Price on application



Extension Rod Serie 511

125mm, 15mm Rod Diameter
 Art No. 953557
 Suggested retail price: 257.00 €*

Extension Rod Serie 511

250mm, 15mm Rod Diameter

Art No. 952361

Suggested retail price: 264.00 €*



Extension Rod Serie 511

500mm, 15mm Rod Diameter

Art No. 953558

Suggested retail price: 622.00 €*



Extension Rod Serie 511

750mm, 15mm Rod Diameter

Art No. 953559

Suggested retail price: 815.00 €*



Extension Rod Serie 511

1000mm, 15mm Rod Diameter

Art No. 953560

Suggested retail price: 1,070.00 €*



Standard accessories:



2-Point Inside Measuring Instrument

Bore Gauge with Micrometer Head, 600-800mm, w/o Indicator

Art No. 511-808

Suggested retail price: 1,006.00 €*

Promotion!



Dial Gauge, Flat Back, ISO Type

10mm, 0,01mm

Art No. 2046AB

Promo price: **37.90 €***

Suggested retail price: ~~48.00 €*~~



Protector for Indicator (plastic cover)

Art No. 21DZA000

Suggested retail price: 20.00 €*



Art. No.	Sub-anvil	Order No.	Art. No.	Sub-anvil	Order No.
511-803	2102020	2102020	511-803	2102020	2102020
511-804	2102030	2102030	511-804	2102030	2102030
511-805	2102040	2102040	511-805	2102040	2102040
511-806	93178	208928	511-806	93178	208928
511-807	93120	208932	511-807	93120	208932
511-808	93120	208932	511-808	93120	208932

Micrometer Head

511-315

Art No. 953120

Price on application



Sub Anvil 50mm/511

Art No. 208928

Price on application

Sub Anvil 100mm/511

Art No. 208932

Price on application



Spanner/102

Art No. 200154

Price on application

