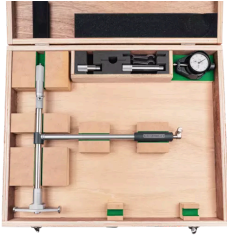


2-Point Inside Measuring Instrument

Item number: 511-817-20

Images



Description

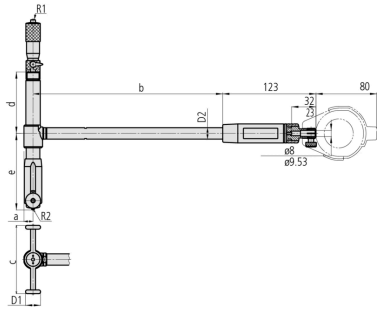
This is a micrometer head that enables measurements without interchangeable anvils. It offers you the following benefits:

- A long plunger stroke gives you amazing accuracy.
- Contact points are carbide (>18 mm range), giving you high durability and wear resistance.
- A large grip reduces heat transfer from the operator by 50%.
- Wide measuring range with sub-anvils.

Features

Digital/Analog:	Analog
Inch-Metric:	Metric
Range:	400 - 600 mm
Graduation:	0.01 mm
Measuring depth:	250 mm
No. Dial Indicator:	2046AB
Micrometer Head stroke:	50 mm
Accuracy:	2 μ m
Repeatability:	0,5 μ m
Sub anvils:	50, 100 mm
Delivered:	In a box with bore gauge 511-807, dial indicator 2046AB, plastic cover for indicator 21DZA000, 2 sub-anvils, 2 spanner 200154
Mass:	1270 g

Dimensions



a: 16 mm

b: 250 mm

c: 120 mm

d: 85 mm

e: 200.9 mm

D1: 19.8 mm

D2: 15 mm

R1: SR10

R2: SR1.5

Accessories

Optional accessories:



Digital Indicator, Bore Gauge ID-C

12,7mm, 0,001mm, Flat Back Plate
 Art No. 543-310B-10
 Suggested retail price: 563.00 €*



Limit Hands (green) 2pcs

Dial Indicator Series 2/3/4
 Art No. 21AZB195
 Price on application



Extension Rod Serie 511

125mm, 15mm Rod Diameter
 Art No. 953557
 Suggested retail price: 257.00 €*

Extension Rod Serie 511

250mm, 15mm Rod Diameter
Art No. 952361
Suggested retail price: 264.00 €*



Extension Rod Serie 511

500mm, 15mm Rod Diameter
Art No. 953558
Suggested retail price: 622.00 €*



Extension Rod Serie 511

750mm, 15mm Rod Diameter
Art No. 953559
Suggested retail price: 815.00 €*



Extension Rod Serie 511

1000mm, 15mm Rod Diameter
Art No. 953560
Suggested retail price: 1,070.00 €*



Standard accessories:



2-Point Inside Measuring Instrument

Bore Gauge with Micrometer Head, 400-600mm, w/o Indicator
Art No. 511-807
Suggested retail price: 946.00 €*

Promotion!



Dial Gauge, Flat Back, ISO Type

10mm, 0,01mm

Art No. 2046AB

Promo price: **37.90 €***

Suggested retail price: ~~48.00 €*~~



Protector for Indicator (plastic cover)

Art No. 21DZA000

Suggested retail price: 20.00 €*



Art. No.	Sub-anvil	Order No.	Art. No.	Sub-anvil	Order No.
511-803	2102A20	2102A20	511-803	2102A20	2102A20
511-804	2102A25	2102A25	511-804	2102A25	2102A25
511-805	2102A30	2102A30	511-805	2102A30	2102A30
511-806	9317A	9317A	511-806	9317A	9317A
511-807	9317B	9317B	511-807	9317B	9317B
511-808	9317C	9317C	511-808	9317C	9317C

Micrometer Head

511-315

Art No. 953120

Price on application



Sub Anvil 50mm/511

Art No. 208928

Price on application



Sub Anvil 100mm/511

Art No. 208932

Price on application

Spanner/102

Art No. 200154

Price on application

