

## 2-Point Inside Measuring Instrument

Item number: 511-816-20

### Images



### Description

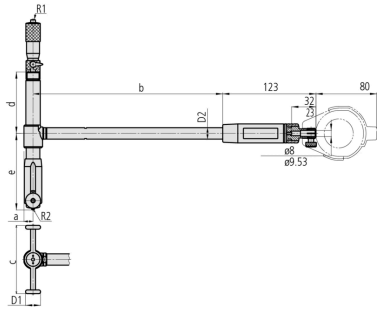
This is a micrometer head that enables measurements without interchangeable anvils. It offers you the following benefits:

- A long plunger stroke gives you amazing accuracy.
- Contact points are carbide (>18 mm range), giving you high durability and wear resistance.
- A large grip reduces heat transfer from the operator by 50%.
- Wide measuring range with sub-anvils.

### Features

<b>Digital/Analog:</b>	Analog
<b>Inch-Metric:</b>	Metric
<b>Range:</b>	250 - 400 mm
<b>Graduation:</b>	0.01 mm
<b>Measuring depth:</b>	150 mm
<b>No. Dial Indicator:</b>	2046AB
<b>Micrometer Head stroke:</b>	25 mm
<b>Accuracy:</b>	2 $\mu$ m
<b>Repeatability:</b>	0,5 $\mu$ m
<b>Sub anvils:</b>	25, 50, 50 mm
<b>Delivered:</b>	In a box with bore gauge 511-806, dial indicator 2046AB, plastic cover for indicator 21DZA000, 3 sub-anvils, 2 spanner 200154
<b>Mass:</b>	950 g

### Dimensions



**a:** 12 mm

**b:** 250 mm

**c:** 90 mm

**d:** 81 mm

**e:** 100.9 mm

**D1:** 19.8 mm

**D2:** 15 mm

**R1:** SR10

**R2:** SR1.5

## Accessories

### Optional accessories:



### Digital Indicator, Bore Gauge ID-C

12,7mm, 0,001mm, Flat Back Plate  
 Art No. 543-310B-10  
 Suggested retail price: 563.00 €\*



### Limit Hands (green) 2pcs

Dial Indicator Series 2/3/4  
 Art No. 21AZB195  
 Price on application



### Extension Rod Serie 511

125mm, 15mm Rod Diameter  
 Art No. 953557  
 Suggested retail price: 257.00 €\*

### Extension Rod Serie 511

250mm, 15mm Rod Diameter  
Art No. 952361  
Suggested retail price: 264.00 €\*  

---



### Extension Rod Serie 511

500mm, 15mm Rod Diameter  
Art No. 953558  
Suggested retail price: 622.00 €\*  

---



### Extension Rod Serie 511

750mm, 15mm Rod Diameter  
Art No. 953559  
Suggested retail price: 815.00 €\*  

---



### Extension Rod Serie 511

1000mm, 15mm Rod Diameter  
Art No. 953560  
Suggested retail price: 1,070.00 €\*  

---



Standard accessories:

---



### 2-Point Inside Measuring Instrument

Bore Gauge with Micrometer Head, 250-400mm, w/o Indicator  
Art No. 511-806  
Suggested retail price: 674.00 €\*  

---

Promotion!



### Dial Gauge, Flat Back, ISO Type

10mm, 0,01mm

Art No. 2046AB

Promo price: **37.90 €\***

Suggested retail price: ~~48.00 €\*~~



### Protector for Indicator (plastic cover)

Art No. 21DZA000

Suggested retail price: 20.00 €\*



### Micrometer Head

511-313

Art No. 953118

Price on application

Art. No.	Sub Anvil	Order No.	Art. No.	Sub Anvil	Order No.	Art. No.	Sub Anvil	Order No.
511-803	2102020	208902	511-803	2102020	208902	511-803	2102020	208902
511-804	2102020	208903	511-804	2102020	208903	511-804	2102020	208903
511-805	2102020	208904	511-805	2102020	208904	511-805	2102020	208904
511-806	953118	208905	511-806	953118	208905	511-806	953118	208905
511-807	953120	208906	511-807	953120	208906	511-807	953120	208906
511-808	953122	208907	511-808	953122	208907	511-808	953122	208907

### Sub Anvil 25mm/511

Art No. 208926

Price on application



### Sub Anvil 50mm/511

Art No. 208928

Price on application



**Spanner/102**

Art No. 200154

Price on application

