

2-Point Inside Measuring Instrument

Item number: 511-815-20

Images



Description

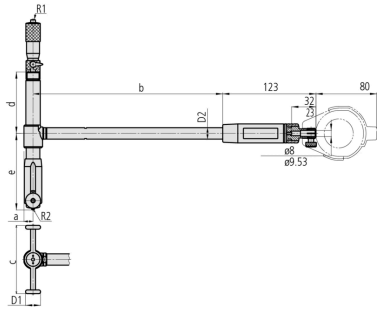
This is a micrometer head that enables measurements without interchangeable anvils. It offers you the following benefits:

- A long plunger stroke gives you amazing accuracy.
- Contact points are carbide (>18 mm range), giving you high durability and wear resistance.
- A large grip reduces heat transfer from the operator by 50%.
- Wide measuring range with sub-anvils.

Features

Digital/Analog:	Analog
Inch-Metric:	Metric
Range:	150 - 250 mm
Graduation:	0.01 mm
Measuring depth:	150 mm
No. Dial Indicator:	2046AB
Micrometer Head stroke:	13 mm
Accuracy:	2 μm
Repeatability:	0,5 μm
Sub anvils:	10, 20, 20, 50 mm
Delivered:	In a box with bore gauge 511-805, dial indicator 2046AB, plastic cover for indicator 21DZA000, 4 sub-anvils, 2 spanner 301336
Mass:	850 g

Dimensions



- a:** 15 mm
- b:** 250 mm
- c:** 78 mm
- d:** 25.1 mm
- e:** 70.3 mm
- D1:** 19.8 mm
- D2:** 15 mm
- R1:** SR10
- R2:** SR1.5

Accessories

Optional accessories:



Digital Indicator, Bore Gauge ID-C

12,7mm, 0,001mm, Flat Back Plate
 Art No. 543-310B-10
 Suggested retail price: 563.00 €*



Limit Hands (green) 2pcs

Dial Indicator Series 2/3/4
 Art No. 21AZB195
 Price on application



Extension Rod Serie 511

125mm, 15mm Rod Diameter
 Art No. 953557
 Suggested retail price: 257.00 €*

Extension Rod Serie 511

250mm, 15mm Rod Diameter

Art No. 952361

Suggested retail price: 264.00 €*



Extension Rod Serie 511

500mm, 15mm Rod Diameter

Art No. 953558

Suggested retail price: 622.00 €*



Extension Rod Serie 511

750mm, 15mm Rod Diameter

Art No. 953559

Suggested retail price: 815.00 €*



Extension Rod Serie 511

1000mm, 15mm Rod Diameter

Art No. 953560

Suggested retail price: 1,070.00 €*



Standard accessories:



2-Point Inside Measuring Instrument

Bore Gauge with Micrometer Head, 150-250mm, w/o Indicator
 Art No. 511-805
 Suggested retail price: 567.00 €*

Promotion!



Dial Gauge, Flat Back, ISO Type

10mm, 0,01mm
 Art No. 2046AB
 Promo price: **37.90 €***
 Suggested retail price: ~~48.00 €*~~



Protector for Indicator (plastic cover)

Art No. 21DZA000
 Suggested retail price: 20.00 €*

Micrometer Head

511-815
 Art No. 21DZA268
 Price on application

Sub-unit				Main Unit			
Order No.	Order No.	Order No.	Order No.	Order No.	Order No.	Order No.	Order No.
511-801	21DZA267	21DZA268	21DZA269	511-802	21DZA270	21DZA271	21DZA272
511-804	21DZA268	21DZA269	21DZA270	511-805	21DZA271	21DZA272	21DZA273
511-806	21DZA268	21DZA269	21DZA270	511-807	21DZA271	21DZA272	21DZA273
511-808	21DZA268	21DZA269	21DZA270	511-809	21DZA271	21DZA272	21DZA273

Sub Anvil 10mm/511

Art No. 208892

Price on application



Sub Anvil 20mm/511

Art No. 208894

Price on application



Sub-Anvil 50mm

511-805

Art No. 21DAA492

Price on application



Spanner R=7,3/4,5mm

Micrometer

Art No. 301336

Suggested retail price: 7.00 €*

