

## 2-Point Inside Measuring Instrument

Item number: 511-814-20

### Images



### Description

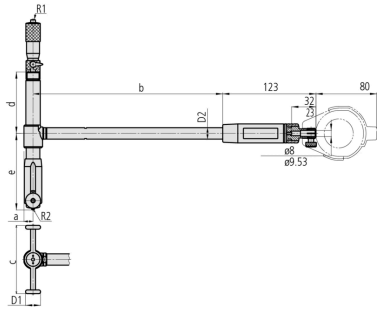
This is a micrometer head that enables measurements without interchangeable anvils. It offers you the following benefits:

- A long plunger stroke gives you amazing accuracy.
- Contact points are carbide (>18 mm range), giving you high durability and wear resistance.
- A large grip reduces heat transfer from the operator by 50%.
- Wide measuring range with sub-anvils.

### Features

<b>Digital/Analog:</b>	Analog
<b>Inch-Metric:</b>	Metric
<b>Range:</b>	100 - 160 mm
<b>Graduation:</b>	0.01 mm
<b>Measuring depth:</b>	150 mm
<b>No. Dial Indicator:</b>	2046AB
<b>Micrometer Head stroke:</b>	13 mm
<b>Accuracy:</b>	2 $\mu$ m
<b>Repeatability:</b>	0,5 $\mu$ m
<b>Sub anvils:</b>	10, 20, 20 mm
<b>Delivered:</b>	In a box with bore gauge 511-804, dial indicator 2046AB, plastic cover for indicator 21DZA000, 3 sub-anvils, 2 spanner 301336
<b>Mass:</b>	480 g

### Dimensions



- a:** 9 mm
- b:** 150 mm
- c:** 50 mm
- d:** 16.5 mm
- e:** 28.9 mm
- D1:** 12.8 mm
- D2:** 12 mm
- R1:** SR10
- R2:** SR1.0

**Accessories**

**Optional accessories:**



**Digital Indicator, Bore Gauge ID-C**

12,7mm, 0,001mm, Flat Back Plate  
 Art No. 543-310B-10  
 Suggested retail price: 563.00 €\*



**Limit Hands (green) 2pcs**

Dial Indicator Series 2/3/4  
 Art No. 21AZB195  
 Price on application



**Extension Rod Serie 511**

125mm, 12mm Rod Diameter  
 Art No. 953552  
 Suggested retail price: 251.00 €\*

### Extension Rod Serie 511

250mm, 12mm Rod Diameter

Art No. 953553

Suggested retail price: 275.00 €\*  

---



### Extension Rod Serie 511

500mm, 12mm Rod Diameter

Art No. 953554

Suggested retail price: 493.00 €\*  

---



### Extension Rod Serie 511

750mm, 12mm Rod Diameter

Art No. 953555

Suggested retail price: 655.00 €\*  

---



### Extension Rod Serie 511

1000mm, 12mm Rod Diameter

Art No. 953556

Suggested retail price: 907.00 €\*  

---



Standard accessories:

---

### 2-Point Inside Measuring Instrument

Bore Gauge with Micrometer Head, 100-160mm, w/o Indicator

Art No. 511-804

Suggested retail price: 479.00 €\*  

---



Promotion!



## Dial Gauge, Flat Back, ISO Type

10mm, 0,01mm

Art No. 2046AB

Promo price: **37.90 €\***

Suggested retail price: ~~48.00 €\*~~



## Protector for Indicator (plastic cover)

Art No. 21DZA000

Suggested retail price: 20.00 €\*



Sub-anvil	Order No.	Sub-anvil	Order No.	Sub-anvil	Order No.	Sub-anvil	Order No.
10mm	2102207	15mm	2102208	20mm	2102209	25mm	2102210
10mm	2102211	15mm	2102212	20mm	2102213	25mm	2102214
10mm	2102215	15mm	2102216	20mm	2102217	25mm	2102218
10mm	2102219	15mm	2102220	20mm	2102221	25mm	2102222
10mm	2102223	15mm	2102224	20mm	2102225	25mm	2102226
10mm	2102227	15mm	2102228	20mm	2102229	25mm	2102230
10mm	2102231	15mm	2102232	20mm	2102233	25mm	2102234
10mm	2102235	15mm	2102236	20mm	2102237	25mm	2102238
10mm	2102239	15mm	2102240	20mm	2102241	25mm	2102242
10mm	2102243	15mm	2102244	20mm	2102245	25mm	2102246
10mm	2102247	15mm	2102248	20mm	2102249	25mm	2102250
10mm	2102251	15mm	2102252	20mm	2102253	25mm	2102254
10mm	2102255	15mm	2102256	20mm	2102257	25mm	2102258
10mm	2102259	15mm	2102260	20mm	2102261	25mm	2102262
10mm	2102263	15mm	2102264	20mm	2102265	25mm	2102266
10mm	2102267	15mm	2102268	20mm	2102269	25mm	2102270
10mm	2102271	15mm	2102272	20mm	2102273	25mm	2102274
10mm	2102275	15mm	2102276	20mm	2102277	25mm	2102278
10mm	2102279	15mm	2102280	20mm	2102281	25mm	2102282
10mm	2102283	15mm	2102284	20mm	2102285	25mm	2102286
10mm	2102287	15mm	2102288	20mm	2102289	25mm	2102290
10mm	2102291	15mm	2102292	20mm	2102293	25mm	2102294
10mm	2102295	15mm	2102296	20mm	2102297	25mm	2102298
10mm	2102299	15mm	2102300	20mm	2102301	25mm	2102302
10mm	2102303	15mm	2102304	20mm	2102305	25mm	2102306
10mm	2102307	15mm	2102308	20mm	2102309	25mm	2102310
10mm	2102311	15mm	2102312	20mm	2102313	25mm	2102314
10mm	2102315	15mm	2102316	20mm	2102317	25mm	2102318
10mm	2102319	15mm	2102320	20mm	2102321	25mm	2102322
10mm	2102323	15mm	2102324	20mm	2102325	25mm	2102326
10mm	2102327	15mm	2102328	20mm	2102329	25mm	2102330
10mm	2102331	15mm	2102332	20mm	2102333	25mm	2102334
10mm	2102335	15mm	2102336	20mm	2102337	25mm	2102338
10mm	2102339	15mm	2102340	20mm	2102341	25mm	2102342
10mm	2102343	15mm	2102344	20mm	2102345	25mm	2102346
10mm	2102347	15mm	2102348	20mm	2102349	25mm	2102350
10mm	2102351	15mm	2102352	20mm	2102353	25mm	2102354
10mm	2102355	15mm	2102356	20mm	2102357	25mm	2102358
10mm	2102359	15mm	2102360	20mm	2102361	25mm	2102362
10mm	2102363	15mm	2102364	20mm	2102365	25mm	2102366
10mm	2102367	15mm	2102368	20mm	2102369	25mm	2102370
10mm	2102371	15mm	2102372	20mm	2102373	25mm	2102374
10mm	2102375	15mm	2102376	20mm	2102377	25mm	2102378
10mm	2102379	15mm	2102380	20mm	2102381	25mm	2102382
10mm	2102383	15mm	2102384	20mm	2102385	25mm	2102386
10mm	2102387	15mm	2102388	20mm	2102389	25mm	2102390
10mm	2102391	15mm	2102392	20mm	2102393	25mm	2102394
10mm	2102395	15mm	2102396	20mm	2102397	25mm	2102398
10mm	2102399	15mm	2102400	20mm	2102401	25mm	2102402
10mm	2102403	15mm	2102404	20mm	2102405	25mm	2102406
10mm	2102407	15mm	2102408	20mm	2102409	25mm	2102410
10mm	2102411	15mm	2102412	20mm	2102413	25mm	2102414
10mm	2102415	15mm	2102416	20mm	2102417	25mm	2102418
10mm	2102419	15mm	2102420	20mm	2102421	25mm	2102422
10mm	2102423	15mm	2102424	20mm	2102425	25mm	2102426
10mm	2102427	15mm	2102428	20mm	2102429	25mm	2102430
10mm	2102431	15mm	2102432	20mm	2102433	25mm	2102434
10mm	2102435	15mm	2102436	20mm	2102437	25mm	2102438
10mm	2102439	15mm	2102440	20mm	2102441	25mm	2102442
10mm	2102443	15mm	2102444	20mm	2102445	25mm	2102446
10mm	2102447	15mm	2102448	20mm	2102449	25mm	2102450
10mm	2102451	15mm	2102452	20mm	2102453	25mm	2102454
10mm	2102455	15mm	2102456	20mm	2102457	25mm	2102458
10mm	2102459	15mm	2102460	20mm	2102461	25mm	2102462
10mm	2102463	15mm	2102464	20mm	2102465	25mm	2102466
10mm	2102467	15mm	2102468	20mm	2102469	25mm	2102470
10mm	2102471	15mm	2102472	20mm	2102473	25mm	2102474
10mm	2102475	15mm	2102476	20mm	2102477	25mm	2102478
10mm	2102479	15mm	2102480	20mm	2102481	25mm	2102482
10mm	2102483	15mm	2102484	20mm	2102485	25mm	2102486
10mm	2102487	15mm	2102488	20mm	2102489	25mm	2102490
10mm	2102491	15mm	2102492	20mm	2102493	25mm	2102494
10mm	2102495	15mm	2102496	20mm	2102497	25mm	2102498
10mm	2102499	15mm	2102500	20mm	2102501	25mm	2102502
10mm	2102503	15mm	2102504	20mm	2102505	25mm	2102506
10mm	2102507	15mm	2102508	20mm	2102509	25mm	2102510
10mm	2102511	15mm	2102512	20mm	2102513	25mm	2102514
10mm	2102515	15mm	2102516	20mm	2102517	25mm	2102518
10mm	2102519	15mm	2102520	20mm	2102521	25mm	2102522
10mm	2102523	15mm	2102524	20mm	2102525	25mm	2102526
10mm	2102527	15mm	2102528	20mm	2102529	25mm	2102530
10mm	2102531	15mm	2102532	20mm	2102533	25mm	2102534
10mm	2102535	15mm	2102536	20mm	2102537	25mm	2102538
10mm	2102539	15mm	2102540	20mm	2102541	25mm	2102542
10mm	2102543	15mm	2102544	20mm	2102545	25mm	2102546
10mm	2102547	15mm	2102548	20mm	2102549	25mm	2102550
10mm	2102551	15mm	2102552	20mm	2102553	25mm	2102554
10mm	2102555	15mm	2102556	20mm	2102557	25mm	2102558
10mm	2102559	15mm	2102560	20mm	2102561	25mm	2102562
10mm	2102563	15mm	2102564	20mm	2102565	25mm	2102566
10mm	2102567	15mm	2102568	20mm	2102569	25mm	2102570
10mm	2102571	15mm	2102572	20mm	2102573	25mm	2102574
10mm	2102575	15mm	2102576	20mm	2102577	25mm	2102578
10mm	2102579	15mm	2102580	20mm	2102581	25mm	2102582
10mm	2102583	15mm	2102584	20mm	2102585	25mm	2102586
10mm	2102587	15mm	2102588	20mm	2102589	25mm	2102590
10mm	2102591	15mm	2102592	20mm	2102593	25mm	2102594
10mm	2102595	15mm	2102596	20mm	2102597	25mm	2102598
10mm	2102599	15mm	2102600	20mm	2102601	25mm	2102602
10mm	2102603	15mm	2102604	20mm	2102605	25mm	2102606
10mm	2102607	15mm	2102608	20mm	2102609	25mm	2102610
10mm	2102611	15mm	2102612	20mm	2102613	25mm	2102614
10mm	2102615	15mm	2102616	20mm	2102617	25mm	2102618
10mm	2102619	15mm	2102620	20mm	2102621	25mm	2102622
10mm	2102623	15mm	2102624	20mm	2102625	25mm	2102626
10mm	2102627	15mm	2102628	20mm	2102629	25mm	2102630
10mm	2102631	15mm	2102632	20mm	2102633	25mm	2102634
10mm	2102635	15mm	2102636	20mm	2102637	25mm	2102638
10mm	2102639	15mm	2102640	20mm	2102641	25mm	2102642
10mm	2102643	15mm	2102644	20mm	2102645	25mm	2102646
10mm	2102647	15mm	2102648	20mm	2102649	25mm	2102650
10mm	2102651	15mm	2102652	20mm	2102653	25mm	2102654
10mm	2102655	15mm	2102656	20mm	2102657	25mm	2102658
10mm	2102659	15mm	2102660	20mm	2102661	25mm	2102662
10mm	2102663	15mm	2102664	20mm	2102665	25mm	2102666
10mm	2102667	15mm	2102668	20mm	2102669	25mm	2102670
10mm	2102671	15mm	2102672	20mm	2102673	25mm	2102674
10mm	2102675	15mm	2102676	20mm	2102677	25mm	2102678
10mm	2102679	15mm	2102680	20mm	2102681	25mm	2102682
10mm	2102683	15mm	2102684	20mm	2102685	25mm	2102686
10mm	2102687	15mm	2102688	20mm	2102689	25mm	2102690
10mm	2102691	15mm	2102692	20mm	2102693	25mm	2102694
10mm	21026						

## Spanner R=7,3/4,5mm

Micrometer

Art No. 301336

Suggested retail price: 7.00 €\*

