

2-Point Inside Measuring Instrument

Item number: 511-813-20

Images



Description

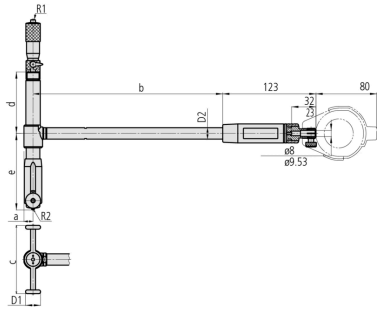
This is a micrometer head that enables measurements without interchangeable anvils. It offers you the following benefits:

- A long plunger stroke gives you amazing accuracy.
- Contact points are carbide (>18 mm range), giving you high durability and wear resistance.
- A large grip reduces heat transfer from the operator by 50%.
- Wide measuring range with sub-anvils.

Features

| | |
|--------------------------------|---|
| Digital/Analog: | Analog |
| Inch-Metric: | Metric |
| Range: | 60 - 100 mm |
| Graduation: | 0.01 mm |
| Measuring depth: | 150 mm |
| No. Dial Indicator: | 2046AB |
| Micrometer Head stroke: | 10 mm |
| Accuracy: | 2 μ m |
| Repeatability: | 0,5 μ m |
| Sub anvils: | 10, 20 mm |
| Delivered: | In a box with bore gauge 511-803, dial indicator 2046AB, plastic cover for indicator 21DZA000, 2 sub-anvils, spanner 301336 (2 pcs.) / 202863 |
| Mass: | 430 g |

Dimensions



- a:** 9 mm
- b:** 150 mm
- c:** 38 mm
- d:** 7 mm
- e:** 28.9 mm
- D1:** 12.8 mm
- D2:** 12 mm
- R1:** SR8
- R2:** SR1.0

Accessories

Optional accessories:



Digital Indicator, Bore Gauge ID-C

12,7mm, 0,001mm, Flat Back Plate
 Art No. 543-310B-10
 Suggested retail price: 563.00 €*



Limit Hands (green) 2pcs

Dial Indicator Series 2/3/4
 Art No. 21AZB195
 Price on application



Extension Rod Serie 511

125mm, 12mm Rod Diameter
 Art No. 953552
 Suggested retail price: 251.00 €*

Extension Rod Serie 511

250mm, 12mm Rod Diameter

Art No. 953553

Suggested retail price: 275.00 €*



Extension Rod Serie 511

500mm, 12mm Rod Diameter

Art No. 953554

Suggested retail price: 493.00 €*



Extension Rod Serie 511

750mm, 12mm Rod Diameter

Art No. 953555

Suggested retail price: 655.00 €*



Extension Rod Serie 511

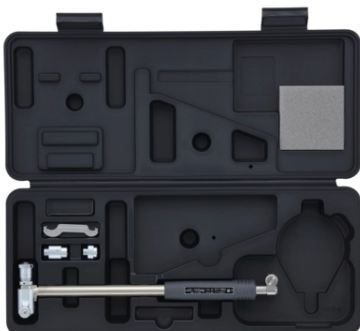
1000mm, 12mm Rod Diameter

Art No. 953556

Suggested retail price: 907.00 €*



Standard accessories:



2-Point Inside Measuring Instrument

Bore Gauge with Micrometer Head, 60-100mm, w/o Indicator

Art No. 511-803

Suggested retail price: 425.00 €*

Promotion!



Dial Gauge, Flat Back, ISO Type

10mm, 0,01mm

Art No. 2046AB

Promo price: **37.90 €***

Suggested retail price: ~~48.00 €*~~



Protector for Indicator (plastic cover)

Art No. 21DZA000

Suggested retail price: 20.00 €*



Micrometer Head

511-823 (CGM-100X)

Art No. 21DZA267

Price on application

| Art. No. | Sub-anvil | Order No. | Sub-anvil | Order No. | Sub-anvil | Order No. | Sub-anvil | Order No. |
|----------|-----------|-----------|-----------|-----------|-----------|-----------|-----------|-----------|
| 511-803 | 2102020 | 208892 | 2102020 | 208892 | 511-803 | 2102020 | 208892 | 2102020 |
| 511-804 | 2102020 | 208893 | 2102020 | 208893 | 511-804 | 2102020 | 208893 | 2102020 |
| 511-805 | 2102020 | 208894 | 2102020 | 208894 | 511-805 | 2102020 | 208894 | 2102020 |
| 511-806 | 93178 | 208895 | 93178 | 208895 | 511-806 | 93178 | 208895 | 93178 |
| 511-807 | 93120 | 208896 | 93120 | 208896 | 511-807 | 93120 | 208896 | 93120 |
| 511-808 | 93120 | 208897 | 93120 | 208897 | 511-808 | 93120 | 208897 | 93120 |

Sub Anvil 10mm/511

Art No. 208892

Price on application



Sub Anvil 20mm/511

Art No. 208894

Price on application





Spanner R=7,3/4,5mm

Micrometer

Art No. 301336

Suggested retail price: 7.00 €*



Hex-Spanner/129

Art No. 202863

Price on application