

2-Point Inside Measuring Instrument

Item number: 511-806

Images



Description

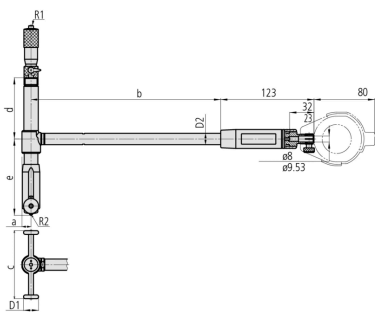
This is a micrometer head that enables measurements without interchangeable anvils. It offers you the following benefits:

- A long plunger stroke gives you amazing accuracy.
- Contact points are carbide (>18 mm range), giving you high durability and wear resistance.
- A large grip reduces heat transfer from the operator by 50%.
- Wide measuring range with sub-anvils.

Features

Digital/Analog:	Analog
Range:	250-400 mm
Accuracy:	2 μm
Repeatability:	0,5 μm
Delivered:	In a box with 3 sub-anvils, 2 spanner 200154

Dimensions



- a:** 12 mm
- b:** 250 mm
- c:** 90 mm
- d:** 81 mm
- e:** 100.9 mm
- D1:** 19.8 mm
- D2:** 15 mm
- R1:** SR10
- R2:** SR1.5

Accessories

Optional accessories:

Extension Rod Serie 511

125mm, 15mm Rod Diameter
Art No. 953557
Suggested retail price: 257.00 €*



Extension Rod Serie 511

250mm, 15mm Rod Diameter
Art No. 952361
Suggested retail price: 264.00 €*



Extension Rod Serie 511

500mm, 15mm Rod Diameter
Art No. 953558
Suggested retail price: 622.00 €*



Extension Rod Serie 511

750mm, 15mm Rod Diameter
Art No. 953559
Suggested retail price: 815.00 €*



Extension Rod Serie 511

1000mm, 15mm Rod Diameter
Art No. 953560
Suggested retail price: 1,070.00 €*





Digital Indicator, Bore Gauge ID-C

12,7mm, 0,001mm, Flat Back Plate
 Art No. 543-310B-10
 Suggested retail price: 563.00 €*



Limit Hands (green) 2pcs

Dial Indicator Series 2/3/4
 Art No. 21AZB195
 Price on application

Standard accessories:



Micrometer Head

511-313
 Art No. 953118
 Price on application

Order No.	Description	Unit	Order No.	Description	Unit
511-403	2150A02 10 mm M15	1000	208926	Sub-anvil	1000
511-404	2150A08 15 mm M15	1000	208927	Sub-anvil	1000
511-405	2150A08 15 mm M15	1000	208928	Sub-anvil	1000
511-406	953118 25 mm M16	1000	208929	Sub-anvil	1000
511-407	953120 30 mm M16	1000	208930	Sub-anvil	1000
511-408	953120 30 mm M16	1000	208931	Sub-anvil	1000

Sub Anvil 25mm/511

Art No. 208926
 Price on application





Sub Anvil 50mm/511

Art No. 208928

Price on application



Spanner/102

Art No. 200154

Price on application