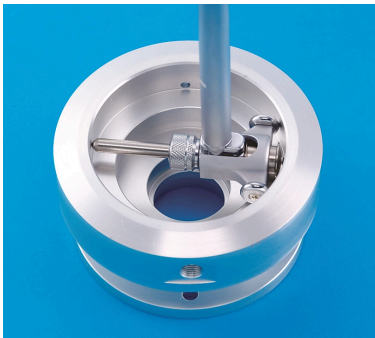


2-Point Inside Measuring Instrument

Item number: 511-756-20

Images



Description

This is a short range application Bore Gauge Set that automatically self-centres via a centring bridge and offers you the following benefits:

- It reduces the influence of heat from the operator's hand by 50% by making the grip hollow structured, thereby retaining high accuracy measurement.
- Interchangeable washers (0,5 mm thick) are supplied as standard accessories, so you can enable setting in small steps.
- Contact points are carbide (>18 mm range), giving you high durability and wear resistance.

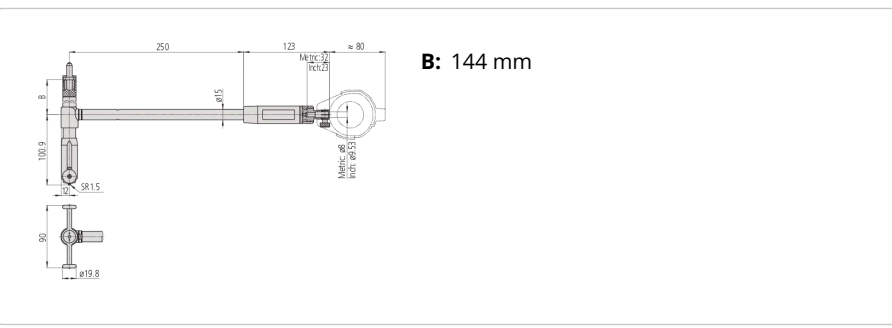
Features

Inch-Metric:

Inch

Range:	10 - 16 "
Graduation:	0.0001"
Stroke of contact point:	18 - 60 mm: 1.2 mm 50 - 400 mm: 1.6 mm
Measuring depth:	10"
No. Dial Indicator:	2923AB-10
Number of anvils:	5
Accuracy:	2 µm
Repeatability:	0.5 µm
Digital/Analog:	Analog
Delivered:	In a box with bore gauge 511-736, dial indicator 2923AB-10, plastic cover for indicator 21DZA000, 5 anvils, 7 interchangeable washer, 1 sub-anvil
Mass:	945 g

Dimensions

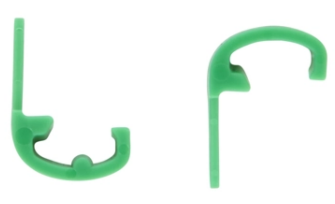


Accessories

Optional accessories:



Digital Indicator, Bore Gauge ID-C
 ASME/ANSI Type, Inch/Metric, 0,5", 0,00005", Flat Back Plate
 Art No. 543-312B-10
 Suggested retail price: 563.00 €*



Limit Hands (green) 2pcs
 Dial Indicator Series 2/3/4
 Art No. 21AZB195
 Price on application

Extension Rod Serie 511

125mm, 15mm Rod Diameter
Art No. 953557
Suggested retail price: 257.00 €*



Extension Rod Serie 511

250mm, 15mm Rod Diameter
Art No. 952361
Suggested retail price: 264.00 €*



Extension Rod Serie 511

500mm, 15mm Rod Diameter
Art No. 953558
Suggested retail price: 622.00 €*



Extension Rod Serie 511

750mm, 15mm Rod Diameter
Art No. 953559
Suggested retail price: 815.00 €*



Extension Rod Serie 511

1000mm, 15mm Rod Diameter
Art No. 953560
Suggested retail price: 1,070.00 €*



Standard accessories:



Anvil No.1

511-705...-736
Art No. 21DZA241A
Price on application



Anvil No.2/511

511-705...-736
Art No. 21DZA241B
Price on application



Anvil No.3/511

511-705...-736
Art No. 21DZA241C
Price on application



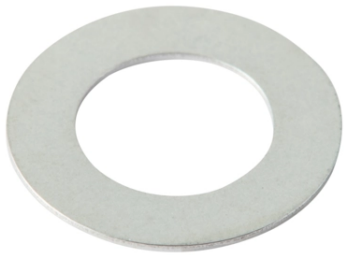
Anvil No.4/511

511-705...-736
Art No. 21DZA241D
Price on application



Anvil No.5/511

511-705...-736
Art No. 21DZA241E
Price on application



Washer 0.5mm 0.02\"/511

0.5mm / .02"
Art No. 205467
[Price on application](#)



Washer 1mm /511

1 mm / .04"
Art No. 205461
[Price on application](#)



Washer 2mm /511

2mm / .08"
Art No. 205462
[Price on application](#)



Washer 3mm 0.12\"/511

3mm / .12"
Art No. 205463
[Price on application](#)



Washer 4mm /511

4 mm
Art No. 205464
[Price on application](#)



Protector for Indicator (plastic cover)

Art No. 21DZA000

Suggested retail price: 20.00 €*
