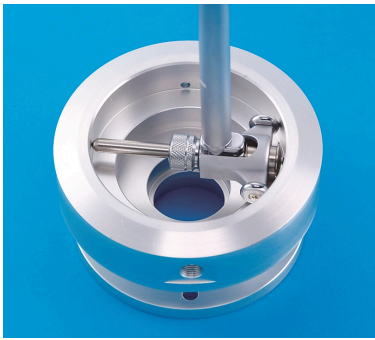


## 2-Point Inside Measuring Instrument

Item number: 511-746-20

### Images



### Description

This is a short range application Bore Gauge Set that automatically self-centres via a centring bridge and offers you the following benefits:

- It reduces the influence of heat from the operator's hand by 50% by making the grip hollow structured, thereby retaining high accuracy measurement.
- Interchangeable washers (0,5 mm thick) are supplied as standard accessories, so you can enable setting in small steps.
- Contact points are carbide (>18 mm range), giving you high durability and wear resistance.

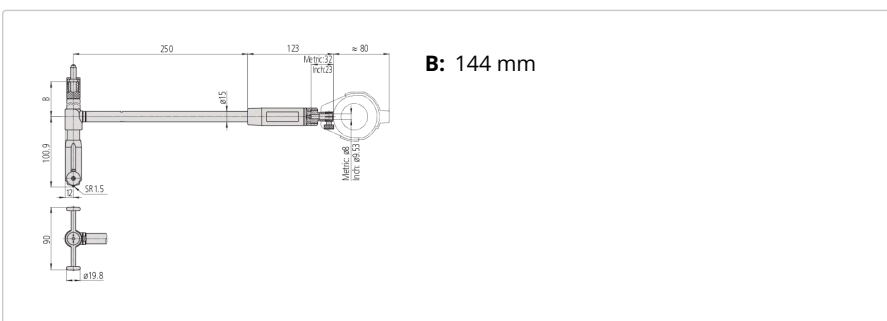
### Features

Inch-Metric:

Inch

<b>Range:</b>	10 - 16 "
<b>Graduation:</b>	0.0005"
<b>Stroke of contact point:</b>	18 - 60 mm: 1.2 mm 50 - 400 mm: 1.6 mm
<b>Measuring depth:</b>	10"
<b>No. Dial Indicator:</b>	2922AB
<b>Number of anvils:</b>	5
<b>Accuracy:</b>	2 µm
<b>Repeatability:</b>	0.5 µm
<b>Digital/Analog:</b>	Analog
<b>Delivered:</b>	In a box with bore gauge 511-736, dial indicator 2922AB, plastic cover for indicator 21DZA000, 5 anvils, 7 interchangeable washer, 1 sub anvil
<b>Mass:</b>	945 g

## Dimensions



## Accessories

### Optional accessories:



### Digital Indicator, Bore Gauge ID-C

ASME/ANSI Type, Inch/Metric, 0,5", 0,00005", Flat Back Plate

Art No. 543-312B-10

Suggested retail price: 563.00 €\*

### Limit Hands (green) 2pcs

Dial Indicator Series 2/3/4

Art No. 21AZB195

Price on application



### Extension Rod Serie 511

125mm, 15mm Rod Diameter

Art No. 953557

Suggested retail price: 257.00 €\*  

---



### Extension Rod Serie 511

250mm, 15mm Rod Diameter

Art No. 952361

Suggested retail price: 264.00 €\*  

---



### Extension Rod Serie 511

500mm, 15mm Rod Diameter

Art No. 953558

Suggested retail price: 622.00 €\*  

---



### Extension Rod Serie 511

750mm, 15mm Rod Diameter

Art No. 953559

Suggested retail price: 815.00 €\*  

---



### Extension Rod Serie 511

1000mm, 15mm Rod Diameter

Art No. 953560

Suggested retail price: 1,070.00 €\*  

---



Standard accessories:



### **Anvil No.1**

511-705...-736  
Art No. 21DZA241A  
**Price on application**



### **Anvil No.2/511**

511-705...-736  
Art No. 21DZA241B  
**Price on application**



### **Anvil No.3/511**

511-705...-736  
Art No. 21DZA241C  
**Price on application**



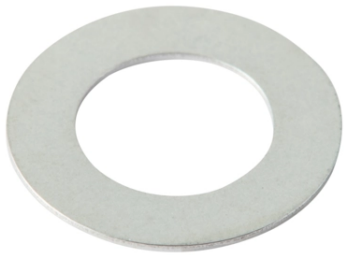
### **Anvil No.4/511**

511-705...-736  
Art No. 21DZA241D  
**Price on application**



### **Anvil No.5/511**

511-705...-736  
Art No. 21DZA241E  
**Price on application**



**Washer 0.5mm 0.02\"/511**

0.5mm / .02"  
Art No. 205467  
[Price on application](#)

---



**Washer 1mm 0.04\"/511**

1 mm / .04"  
Art No. 205461  
[Price on application](#)

---



**Washer 2mm 0.08\"/511**

2mm / .08"  
Art No. 205462  
[Price on application](#)

---



**Washer 3mm 0.12\"/511**

3mm / .12"  
Art No. 205463  
[Price on application](#)

---



**Washer 4mm 0.16\"/511**

4 mm  
Art No. 205464  
[Price on application](#)

---



### Washer /511

5 mm  
Art No. 205465  
[Price on application](#)

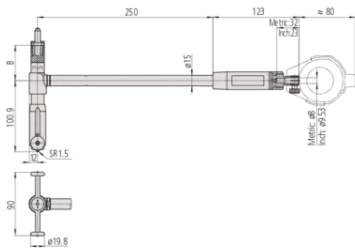


### Washer /511

6 mm  
Art No. 205466  
[Price on application](#)

### Sub-Anvil 3"/511

Art No. 202975  
[Price on application](#)



### 2-Point Inside Measuring Instrument

Bore Gauge, 10-16", w/o Indicator  
Art No. 511-736  
Suggested retail price: 704.00 €\*



### Dial Gauge, Flat Back, ANSI/AGD Type

0,125", 0,0005"  
Art No. 2922AB  
Suggested retail price: 107.00 €\*



## Protector for Indicator (plastic cover)

Art No. 21DZA000

Suggested retail price: 20.00 €\*  

---