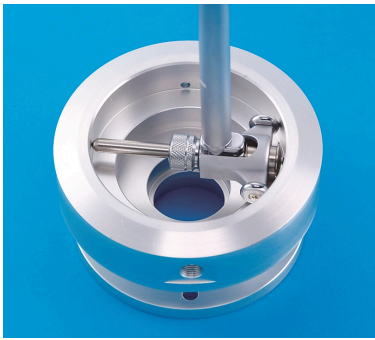


2-Point Inside Measuring Instrument

Item number: 511-716-20

Images



Description

This is a short range application Bore Gauge Set that automatically self-centres via a centring bridge and offers you the following benefits:

- It reduces the influence of heat from the operator's hand by 50% by making the grip hollow structured, thereby retaining high accuracy measurement.
- Interchangeable washers (0,5 mm thick) are supplied as standard accessories, so you can enable setting in small steps.
- Contact points are carbide (>18 mm range), giving you high durability and wear resistance.

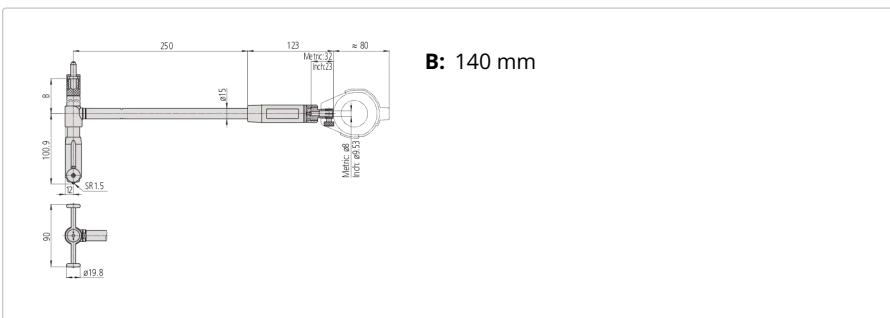
Features

Inch-Metric:

Metric

Range:	250 - 400 mm
Graduation:	0.01 mm
Stroke of contact point:	1.6 mm
Measuring depth:	250 mm
No. Dial Indicator:	2046AB
Number of anvils:	5
Accuracy:	2 µm
Repeatability:	0.5 µm
Digital/Analog:	Analog
Delivered:	In a box with bore gauge 511-706, dial indicator 2046AB, plastic cover for indicator 21DZA000, 5 anvils, 7 interchangeable washer, 1 sub anvil
Mass:	945 g

Dimensions



Accessories

Optional accessories:

Extension Rod Serie 511

125mm, 15mm Rod Diameter
 Art No. 953557
 Suggested retail price: 257.00 €*



Extension Rod Serie 511

500mm, 15mm Rod Diameter
 Art No. 953558
 Suggested retail price: 622.00 €*



Extension Rod Serie 511

750mm, 15mm Rod Diameter

Art No. 953559

Suggested retail price: 815.00 €*


Extension Rod Serie 511

1000mm, 15mm Rod Diameter

Art No. 953560

Suggested retail price: 1,070.00 €*


Digital Indicator, Bore Gauge ID-C

12,7mm, 0,001mm, Flat Back Plate

Art No. 543-310B-10

Suggested retail price: 563.00 €*


Limit Hands (green) 2pcs

Dial Indicator Series 2/3/4

Art No. 21AZB195

Price on application


Standard accessories:



Anvil No.1

511-705...-736
Art No. 21DZA241A
[Price on application](#)



Anvil No.2/511

511-705...-736
Art No. 21DZA241B
[Price on application](#)



Anvil No.3/511

511-705...-736
Art No. 21DZA241C
[Price on application](#)



Anvil No.4/511

511-705...-736
Art No. 21DZA241D
[Price on application](#)



Anvil No.5/511

511-705...-736
Art No. 21DZA241E
[Price on application](#)



Washer 0.5mm 0.02\"/>

0.5mm / .02"

Art No. 205467

[Price on application](#)



Washer 1mm 0.04\"/>

1 mm / .04"

Art No. 205461

[Price on application](#)



Washer 2mm 0.08\"/>

2mm / .08"

Art No. 205462

[Price on application](#)



Washer 3mm 0.12\"/>

3mm / .12"

Art No. 205463

[Price on application](#)



Washer 4mm 0.16\"/>

4 mm

Art No. 205464

[Price on application](#)



Washer /511

5 mm
Art No. 205465
[Price on application](#)



Washer /511

6 mm
Art No. 205466
[Price on application](#)



Sub-Anvil 75mm/511

Art No. 202974
[Price on application](#)



2-Point Inside Measuring Instrument

Bore Gauge, 250-400mm, w/o Indicator
Art No. 511-706
Suggested retail price: 740.00 €*
© 2014 Mitutoyo Co.

Promotion!



Dial Gauge, Flat Back, ISO Type

10mm, 0,01mm
Art No. 2046AB
Promo price: **37.90 €***
~~Suggested retail price: 48.00 €*~~
© 2014 Mitutoyo Co.



Protector for Indicator (plastic cover)

Art No. 21DZA000

Suggested retail price: 20.00 €*
