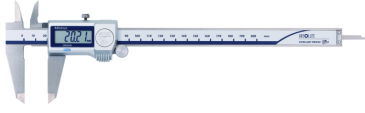


## Digital ABS Caliper CoolantProof IP67

Item number: 500-703-20

### Images



Dust- and  
Water-  
Protected

www.tuv.com  
ID 0000045042

# ABSOLUTE®



# IP67

### Description

This IP67 ABSOLUTE digimatic caliper allows reliable measurements in a wide range of situations and offers you the following benefits:

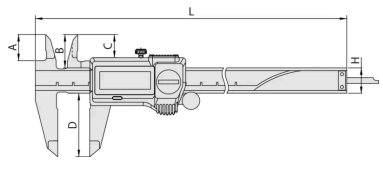
- Excellent resistance against water and dust (IP67 protection level) enabling use in machining situations that include splashing coolant fluid
- It is dustproof, complies with EN60529 and withstands temporary complete immersion in water without suffering any damage.
- ABS (ABSOLUTE) scale requires no origin setting after power-on and has no limit to response speed.

### Features

<b>Model:</b>	CD-P20S
<b>Range:</b>	0 - 200 mm
<b>Delivered:</b>	Including box, SR44 battery, certificate of inspection
<b>Depth bar:</b>	flat
<b>Thumb roller:</b>	Yes
<b>Data output:</b>	No

<b>Max. Permissible Error E MPE:</b>	±0,02 mm
<b>Max. Permissible Error S MPE:</b>	±0,04 mm
<b>Digital step:</b>	0,01 mm
<b>Max. response speed:</b>	Unlimited
<b>Display:</b>	LCD, character height 9 mm (150, 200 mm) 11 mm (300 mm)
<b>ORIGIN (ABS-Zero):</b>	Yes
<b>Auto Power OFF after 20 min. non use:</b>	Yes
<b>Low voltage alarm:</b>	Yes
<b>Battery life:</b>	Approx. 5 years under normal use
<b>Mass:</b>	198 g

**Dimensions**




**L:** 290 mm  
**A:** 20 mm  
**B:** 24.5 mm  
**C:** 18.1 mm  
**D:** 50 mm  
**H:** 16 mm

**Accessories**

Optional accessories:

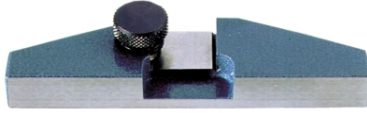
---



**Depth Base Attachment for Caliper**

75mm width for 100, 150, 200mm Range  
 Art No. 050083-10  
 Suggested retail price: 60.00 €\*

---



**Depth Base Attachment for Caliper**

100mm width for 100, 150, 200mm Range  
 Art No. 050084-10  
 Suggested retail price: 67.00 €\*

---

**Spare parts**

Consumable spares:

---



**Battery SR44 1,5 V**

Art No. 938882

Suggested retail price: 7.00 €\*  

---