

## Digital Blade Micrometer, Blade=0,75mm

Item number: 422-270-30

### Images



### Description

This Digimatic Blade Micrometer is designed to help you measure hard-to-reach features. It offers the following benefits:

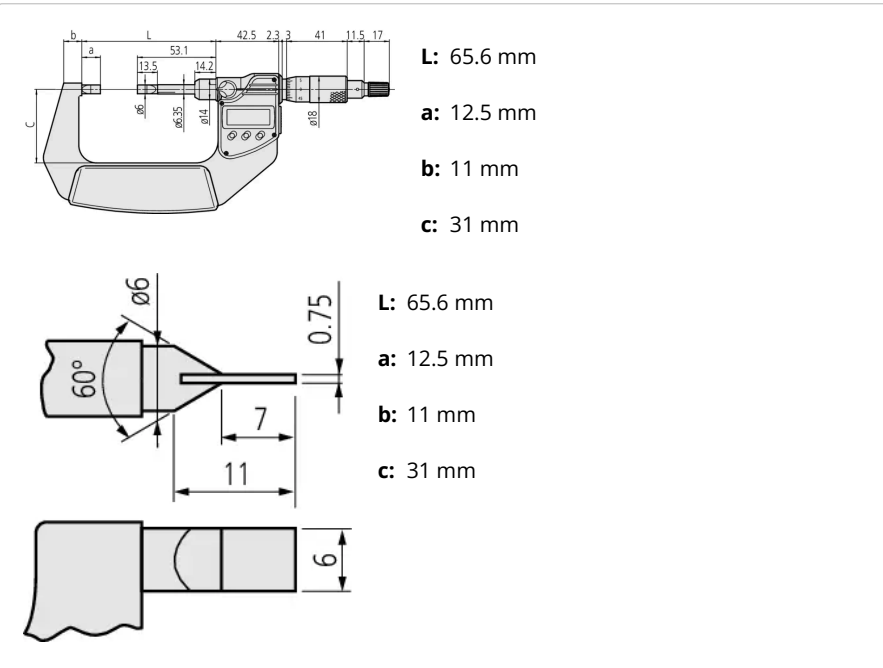
- Blade-shaped anvil and spindle for measuring the groove diameter of shafts, keyways and other hard-to reach features
- Non-rotating spindle

### Features

<b>Digital/Analog:</b>	Digital
<b>Inch-Metric:</b>	Metric
<b>Range:</b>	0 - 25 mm
<b>Digital step:</b>	0,001 mm
<b>Max. Permissible Error J MPE:</b>	$\pm 3 \mu\text{m}$
<b>Delivered:</b>	Including box, spanner, 1 SR44 battery
<b>Parallelism:</b>	$3 \mu\text{m}$
<b>Display:</b>	LCD, character height 7.5 mm
<b>Measuring face:</b>	Carbide-tipped or hardened steel spindle and anvil
<b>Anvil / Spindle:</b>	Type C, carbide $t=0.75 \text{ mm}$
<b>Measuring spindle:</b>	With spindle lock, $\varnothing 6,35 \text{ mm}$ , spindle pitch 0,5 mm
<b>Scale:</b>	Thimble and sleeve satin chrome finish, $\varnothing 18 \text{ mm}$
<b>Data output:</b>	Yes
<b>Measuring force:</b>	3 - 8 N
<b>Power supply:</b>	1 battery SR-44
<b>Battery life:</b>	Approx. 2.4 years
<b>ORIGIN:</b>	Yes

<b>ABS / INC (INC ZERO):</b>	Yes
<b>Auto Power OFF after 20 min. non use:</b>	Yes
<b>Low voltage alarm:</b>	Yes
<b>Function lock:</b>	Yes
<b>HOLD:</b>	Yes
<b>Mass:</b>	365 g

## Dimensions



## Accessories

Optional accessories:



### Micrometer Stand, 45° Angle Type

for Micrometer 0-50mm/0-2"  
 Art No. 156-105-10  
 Suggested retail price: 58.00 €\*

Promotion!



### Micrometer Stand, Adjustable Angle Type

for Micrometer 0-100mm/0-4"  
 Art No. 156-101-10  
 Promo price: 56.00 €\*  
 Suggested retail price: 70.00 €\*

Promotion!



### Connection Unit for IP Caliper, Micrometer

with Data Button for U-WAVE fit, U-WAVE fit Bluetooth

Art No. 02AZF310

Promo price: **76.00 €\***

Suggested retail price: ~~110.00 €\*~~

Promotion!



### USB Input Tool Direct (Digimatic to USB)

2m Cable, Digimatic/Digimatic 2, with Data Button IP Micrometer Type

Art No. 06AFM380B

Promo price: **111.00 €\***

Suggested retail price: ~~141.00 €\*~~

### Digimatic Cable with Data Button IP Type



1 m, Micrometer Type

Art No. 05CZA662

Suggested retail price: 105.00 €\*

### Digimatic Cable with Data Button IP Type



2 m, Micrometer Type

Art No. 05CZA663

Suggested retail price: 107.00 €\*

Promotion!



### U-WAVE fit, IP67 Type

Wireless Transmitter for Micrometer/Indicator

Art No. 264-622

Promo price: **129.00 €\***

Suggested retail price: ~~185.00 €\*~~

Promotion!



### U-WAVE fit, Buzzer Type

Wireless Transmitter for  
Micrometer/Indicator

Art No. 264-623

Promo price: **129.00 €\***

Suggested retail price: ~~185.00 €\*~~

Promotion!



### U-WAVE fit Bluetooth, IP67 Type

Wireless Transmitter for  
Micrometer/Indicator

Art No. 264-626

Promo price: **129.00 €\***

Suggested retail price: ~~185.00 €\*~~

Promotion!



### U-WAVE fit Bluetooth, Buzzer Type

Wireless Transmitter for  
Micrometer/Indicator

Art No. 264-627

Promo price: **129.00 €\***

Suggested retail price: ~~185.00 €\*~~

Promotion!

Mitutoyo

MiCAT

the standard in world  
metrology software  
MeasurLink

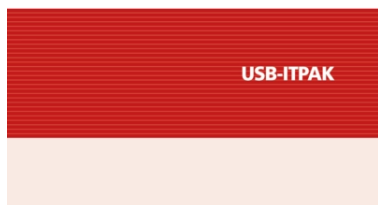
### USB-ITPAK Vers. 3.0

USB Dongle + Manual (Software available  
Online)

Art No. 06AGR543

Promo price: **268.00 €\***

Suggested retail price: ~~340.00 €\*~~



## Spare parts

Consumable spares:



## Battery SR44 1,5 V

Art No. 938882

Suggested retail price: 7.00 €\*  

---