

Digital Tube Micrometer, IP65, Inch/Met.

Item number: 395-362-30

Images



Dust- and
Water-
Protected

www.tuv.com
ID 0000040191



Description

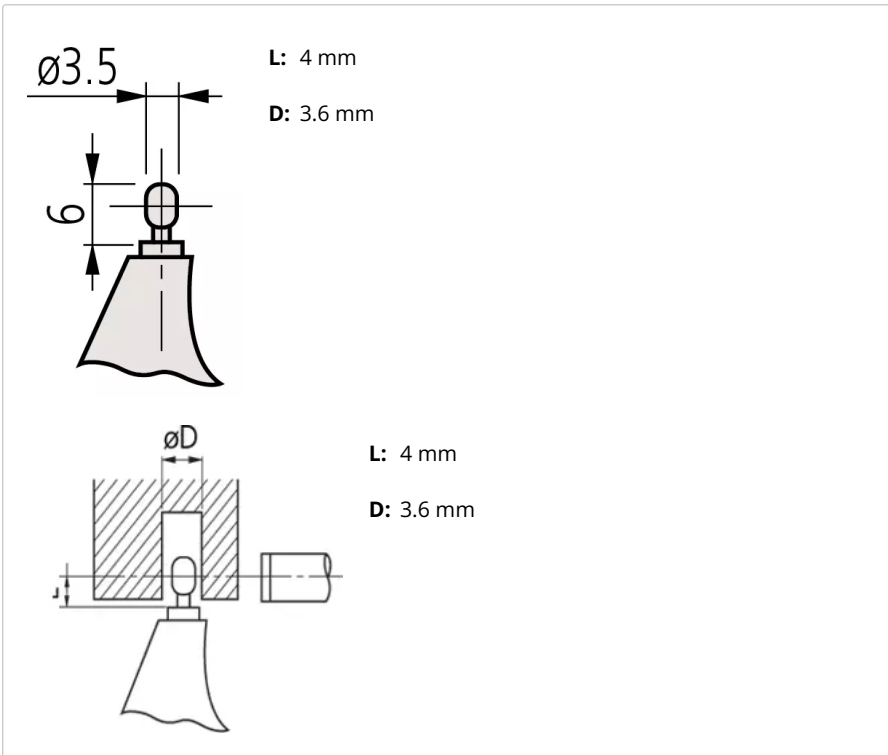
This Digimatic Tube Micrometer allows you to measure curved surfaces such as the wall thickness of tubes, bearings and rings. Spherical and cylindrical anvil type.

Features

Digital/Analog:	Digital
Inch-Metric:	Inch/Metric
Range:	0 - 1 "
Digital step:	0.00005"/0.001 mm
Max. Permissible Error J MPE:	±0.00015"
Delivered:	Including box, spanner, 1 SR44 battery
Flatness:	0.000012"
Display:	LCD, character height 7.5 mm
Measuring face:	Carbide-tipped, micro-lap finish
Anvil / Spindle:	Type B, spherical pin D=3.5 mm/flat spindle
Measuring spindle:	With spindle lock, ø6,35 mm, spindle pitch 0,5 mm
Scale:	Thimble and sleeve satin chrome finish, ø18 mm
Data output:	Yes
Measuring force:	3 - 8 N


Power supply:	1 battery SR-44
Battery life:	Approx. 2.4 years
ORIGIN:	Yes
ABS / INC (INC ZERO):	Yes
Auto Power OFF after 20 min. non use:	Yes
Low voltage alarm:	Yes
Function lock:	Yes
HOLD:	Yes
Mass:	270 g

Dimensions



Accessories

Optional accessories:



Micrometer Stand, 45° Angle Type

for Micrometer 0-50mm/0-2"

Art No. 156-105-10

Suggested retail price: 58.00 €*

Promotion!



Micrometer Stand, Adjustable Angle Type

for Micrometer 0-100mm/0-4"

Art No. 156-101-10

Promo price: **56.00 €***

Suggested retail price: ~~70.00 €*~~

Promotion!



Connection Unit for IP Caliper, Micrometer

with Data Button for U-WAVE fit, U-WAVE fit Bluetooth

Art No. 02AZF310

Promo price: **76.00 €***

Suggested retail price: ~~110.00 €*~~

Promotion!



USB Input Tool Direct (Digimatic to USB)

2m Cable, Digimatic/Digimatic 2, with Data Button IP Micrometer Type

Art No. 06AFM380B

Promo price: **111.00 €***

Suggested retail price: ~~141.00 €*~~



Digimatic Cable with Data Button IP Type

1 m, Micrometer Type

Art No. 05CZA662

Suggested retail price: **105.00 €***



Digimatic Cable with Data Button IP Type

2 m, Micrometer Type

Art No. 05CZA663

Suggested retail price: **107.00 €***

Promotion!



U-WAVE fit, IP67 Type

Wireless Transmitter for
Micrometer/Indicator
Art No. 264-622

Promo price: **129.00 €***
Suggested retail price: ~~185.00 €*~~

Promotion!



U-WAVE fit, Buzzer Type

Wireless Transmitter for
Micrometer/Indicator
Art No. 264-623

Promo price: **129.00 €***
Suggested retail price: ~~185.00 €*~~

Promotion!



U-WAVE fit Bluetooth, IP67 Type

Wireless Transmitter for
Micrometer/Indicator
Art No. 264-626

Promo price: **129.00 €***
Suggested retail price: ~~185.00 €*~~

Promotion!



U-WAVE fit Bluetooth, Buzzer Type

Wireless Transmitter for
Micrometer/Indicator
Art No. 264-627

Promo price: **129.00 €***
Suggested retail price: ~~185.00 €*~~

Promotion!

Mitutoyo

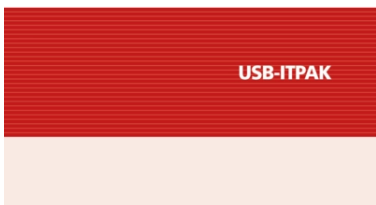
MiCAT
the standard in world
metrology software
MesurLink

USB-ITPAK Vers. 3.0

USB Dongle + Manual (Software available
Online)

Art No. 06AGR543

Promo price: **268.00 €***
Suggested retail price: ~~340.00 €*~~



USB-ITPAK

Consumable spares:



Battery SR44 1,5 V

Art No. 938882

Suggested retail price: 7.00 €*
