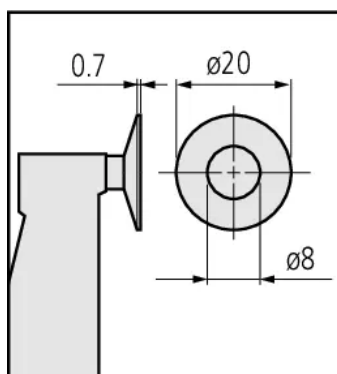


Digital Disc Micrometer

Item number: 369-353-30

Images



Description

This Digimatic Disc Micrometer allows you to measure a range of different materials. It offers you the following benefits:

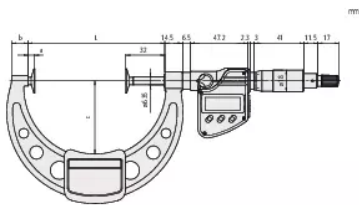
- Non-rotating spindle and disc-shaped measuring surfaces.
- Measuring the root tangent length of spur and helical gears
- Measurable range of gear pitch: 0,5-6 module
- Suitable for measuring felt, rubber, cardboard, fabric etc.

Features

Digital/Analog:	Digital
Inch-Metric:	Inch/Metric
Range:	3 - 4 "
Digital step:	0.00005"/0.001 mm
Max. Permissible Error J MPE:	±0.0003"
Delivered:	Including box, spanner, setting standard, 1 SR44 battery
Parallelism:	0.0003"
Display:	LCD, character height 7.5 mm
Measuring face:	Hardened steel, micro-lap finish
Measuring spindle:	With spindle lock, ø6,35 mm, spindle pitch 0,5 mm

Scale:	Thimble and sleeve satin chrome finish, ø18 mm
Data output:	Yes
Measuring force:	3 - 8 N
Power supply:	1 battery SR-44
Battery life:	Approx. 2.4 years
Measurable module:	0.5 - 6 mm
ORIGIN:	Yes
ABS / INC (INC ZERO):	Yes
Auto Power OFF after 20 min. non use:	Yes
Low voltage alarm:	Yes
Function lock:	Yes
HOLD:	Yes
Mass:	775 g

Dimensions



L: 112.5 mm

a: 5.5 mm

b: 13.5 mm

c: 60 mm

Accessories

Optional accessories:

Promotion!



Micrometer Stand, Adjustable Angle Type

for Micrometer 0-100mm/0-4"
Art No. 156-101-10

Promo price: **56.00 €***

Suggested retail price: ~~70.00 €*~~

Promotion!



Connection Unit for IP Caliper, Micrometer

with Data Button for U-WAVE fit, U-WAVE fit
Bluetooth

Art No. 02AZF310

Promo price: **76.00 €***

Suggested retail price: ~~110.00 €*~~

Promotion!



USB Input Tool Direct (Digimatic to USB)

2m Cable, Digimatic/Digimatic 2, with Data
Button IP Micrometer Type
Art No. 06AFM380B

Promo price: **111.00 €***

Suggested retail price: ~~141.00 €*~~



Digimatic Cable with Data Button IP Type

1 m, Micrometer Type
Art No. 05CZA662

Suggested retail price: 105.00 €*



Digimatic Cable with Data Button IP Type

2 m, Micrometer Type
Art No. 05CZA663

Suggested retail price: 107.00 €*

Promotion!



U-WAVE fit, IP67 Type

Wireless Transmitter for
Micrometer/Indicator
Art No. 264-622

Promo price: **129.00 €***

Suggested retail price: ~~185.00 €*~~

Promotion!



U-WAVE fit, Buzzer Type

Wireless Transmitter for
Micrometer/Indicator
Art No. 264-623

Promo price: **129.00 €***

Suggested retail price: ~~185.00 €*~~

Promotion!



U-WAVE fit Bluetooth, IP67 Type

Wireless Transmitter for Micrometer/Indicator
Art No. 264-626

Promo price: **129.00 €***
Suggested retail price: ~~185.00 €*~~

Promotion!



U-WAVE fit Bluetooth, Buzzer Type

Wireless Transmitter for Micrometer/Indicator
Art No. 264-627

Promo price: **129.00 €***
Suggested retail price: ~~185.00 €*~~

Promotion!

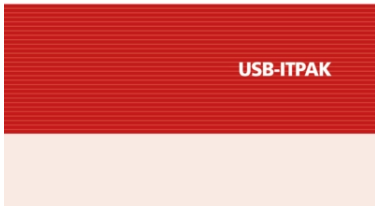
Mitutoyo

MICAT
the standard in world metrology software
measurLink

USB-ITPAK Vers. 3.0

USB Dongle + Manual (Software available Online)
Art No. 06AGR543

Promo price: **268.00 €***
Suggested retail price: ~~340.00 €*~~



Standard accessories:

Micrometer Setting Standard

Length: 3"
Art No. 167-143
Suggested retail price: 37.00 €*



Spare parts

Consumable spares:



Battery SR44 1,5 V

Art No. 938882

Suggested retail price: 7.00 €*
