

Digital Spline Micrometer IP65

Item number: 331-363-30

Images



Dust- and
Water-
Protected

www.tuv.com
ID 0000040191



Description

This Digimatic Spline Micrometer makes it easy for you to measure grooves and shaped parts. It offers you the following benefits:

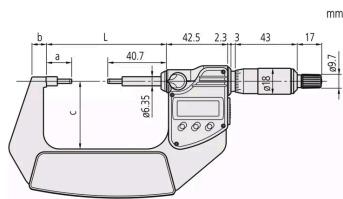
- Anvil and spindle are of small diameter for measuring splined shafts, slots and keyways.
- Excellent resistance against water and dust (IP65 protection level) enables this micrometer to be used in machining situations that include splashing coolant fluid.

Features

Digital/Analog:	Digital
Delivered:	Including box, spanner, setting standard, 1 SR44 battery
Inch-Metric:	Inch/Metric
Range:	2 - 3 "
Digital step:	0.00005"/0.001 mm
Max. Permissible Error J MPE:	±0.0001"
Flatness:	0.000012"
Parallelism:	0.00008"
Display:	LCD, character height 7.5 mm
Measuring face:	Carbide-tipped, micro-lap finish, stepped

Anvil / Spindle:	Type B, D=2 mm
Measuring spindle:	With spindle lock, $\varnothing 6,35$ mm, spindle pitch 0,5 mm
Scale:	Thimble and sleeve satin chrome finish, $\varnothing 18$ mm
Measuring force:	5 - 10 N
Power supply:	1 battery SR-44
Battery life:	Approx. 2.4 years
ORIGIN:	Yes
ABS / INC (INC ZERO):	Yes
Auto Power OFF after 20 min. non use:	Yes
Low voltage alarm:	Yes
Function lock:	Yes
HOLD:	Yes
Mass:	625 g

Dimensions

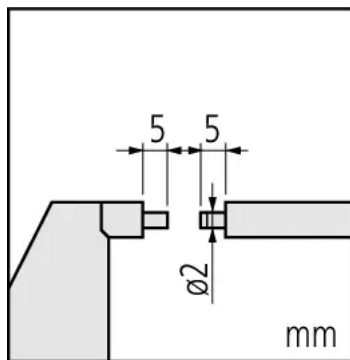


L: 108.2 mm

a: 17.5 mm

b: 11.5 mm

c: 60 mm



L: 108.2 mm

a: 17.5 mm

b: 11.5 mm

c: 60 mm

Accessories

Optional accessories:



Micrometer Stand, Adjustable Angle Type

for Micrometer 0-100mm/0-4"

Art No. 156-101-10

Promo price: **55.90 €***

Suggested retail price: ~~70.00 €*~~

Promotion!



Connection Unit for IP Caliper, Micrometer

with Data Button for U-WAVE fit, U-WAVE fit Bluetooth

Art No. 02AZF310

Promo price: **74.90 €***

Suggested retail price: ~~110.00 €*~~

Promotion!



USB Input Tool Direct (Digimatic to USB)

2m Cable, Digimatic/Digimatic 2, with Data Button IP Micrometer Type

Art No. 06AFM380B

Promo price: **109.00 €***

Suggested retail price: ~~141.00 €*~~

Digimatic Cable with Data Button IP Type



1m, Micrometer Type

Art No. 05CZA662

Suggested retail price: 105.00 €*

Digimatic Cable with Data Button IP Type



2m, Micrometer Type

Art No. 05CZA663

Suggested retail price: 107.00 €*

Promotion!



U-WAVE fit, IP67 Type

Wireless Transmitter for Micrometer/Indicator

Art No. 264-622

Promo price: **129.00 €***

Suggested retail price: ~~185.00 €*~~

Promotion!



U-WAVE fit, Buzzer Type

Wireless Transmitter for
Micrometer/Indicator

Art No. 264-623

Promo price: **129.00 €***

Suggested retail price: ~~185.00 €*~~

Promotion!



U-WAVE fit Bluetooth, IP67 Type

Wireless Transmitter for
Micrometer/Indicator

Art No. 264-626

Promo price: **139.00 €***

Suggested retail price: ~~185.00 €*~~

Promotion!



U-WAVE fit Bluetooth, Buzzer Type

Wireless Transmitter for
Micrometer/Indicator

Art No. 264-627

Promo price: **139.00 €***

Suggested retail price: ~~185.00 €*~~

Standard accessories:

Micrometer Setting Standard

Length: 2"

Art No. 167-142

Suggested retail price: **36.00 €***



Spare parts

Consumable spares:



Battery SR44 1,5 V

Art No. 938882

Suggested retail price: 10.00 €*
