

Digital Spline Micrometer IP65

Item number: 331-362-30

Images



Dust- and Water-Protected

www.tuv.com
ID 0000040191



Description

This Digimatic Spline Micrometer makes it easy for you to measure grooves and shaped parts. It offers you the following benefits:

- Anvil and spindle are of small diameter for measuring splined shafts, slots and keyways.
- Excellent resistance against water and dust (IP65 protection level) enables this micrometer to be used in machining situations that include splashing coolant fluid.

Features

Digital/Analog:	Digital
Inch-Metric:	Inch/Metric
Range:	1 - 2 "
Digital step:	0.00005"/0.001 mm
Max. Permissible Error J MPE:	±0.0001"
Delivered:	Including box, spanner, setting standard, 1 SR44 battery
Flatness:	0.000012"
Parallelism:	0.00008"
Display:	LCD, character height 7.5 mm
Measuring face:	Carbide-tipped, micro-lap finish, stepped
Anvil / Spindle:	Type B, D=2 mm

Measuring spindle: With spindle lock, $\varnothing 6,35$ mm, spindle pitch 0,5 mm

Scale: Thimble and sleeve satin chrome finish, $\varnothing 18$ mm

Data output: Yes

Measuring force: 5 - 10 N

Power supply: 1 battery SR-44

Battery life: Approx. 2.4 years

ORIGIN: Yes

ABS / INC (INC ZERO): Yes

Auto Power OFF after 20 min. non use: Yes

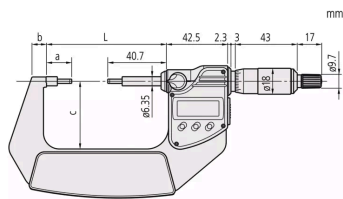
Low voltage alarm: Yes

Function lock: Yes

HOLD: Yes

Mass: 470 g

Dimensions

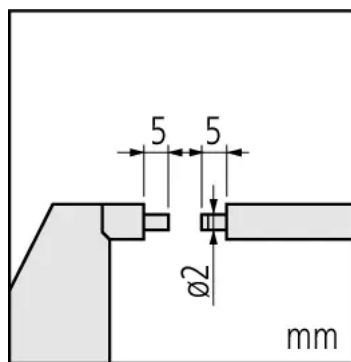


L: 83.2 mm

a: 17.5 mm

b: 10.1 mm

c: 47 mm



L: 83.2 mm

a: 17.5 mm

b: 10.1 mm

c: 47 mm

Accessories

Optional accessories:



Micrometer Stand, 45° Angle Type

for Micrometer 0-50mm/0-2"

Art No. 156-105-10

Suggested retail price: 58.00 €*

Promotion!



Micrometer Stand, Adjustable Angle Type

for Micrometer 0-100mm/0-4"

Art No. 156-101-10

Promo price: **56.00 €***

Suggested retail price: ~~70.00 €*~~

Promotion!



Connection Unit for IP Caliper, Micrometer

with Data Button for U-WAVE fit, U-WAVE fit Bluetooth

Art No. 02AZF310

Promo price: **76.00 €***

Suggested retail price: ~~110.00 €*~~

Promotion!



USB Input Tool Direct (Digimatic to USB)

2m Cable, Digimatic/Digimatic 2, with Data Button IP Micrometer Type

Art No. 06AFM380B

Promo price: **111.00 €***

Suggested retail price: ~~141.00 €*~~



Digimatic Cable with Data Button IP Type

1 m, Micrometer Type

Art No. 05CZA662

Suggested retail price: **105.00 €***



Digimatic Cable with Data Button IP Type

2 m, Micrometer Type

Art No. 05CZA663

Suggested retail price: **107.00 €***

Promotion!



U-WAVE fit, IP67 Type

Wireless Transmitter for
Micrometer/Indicator
Art No. 264-622

Promo price: **129.00 €***
Suggested retail price: ~~185.00 €*~~

Promotion!



U-WAVE fit, Buzzer Type

Wireless Transmitter for
Micrometer/Indicator
Art No. 264-623

Promo price: **129.00 €***
Suggested retail price: ~~185.00 €*~~

Promotion!



U-WAVE fit Bluetooth, IP67 Type

Wireless Transmitter for
Micrometer/Indicator
Art No. 264-626

Promo price: **129.00 €***
Suggested retail price: ~~185.00 €*~~

Promotion!



U-WAVE fit Bluetooth, Buzzer Type

Wireless Transmitter for
Micrometer/Indicator
Art No. 264-627

Promo price: **129.00 €***
Suggested retail price: ~~185.00 €*~~

Standard accessories:



Micrometer Setting Standard

Length: 1"
Art No. 167-141
Suggested retail price: 33.00 €*

Spare parts

Consumable spares:



Battery SR44 1,5 V

Art No. 938882

Suggested retail price: 7.00 €*
