

## Digital Spline Micrometer IP65

Item number: 331-252-30

### Images



Dust- and  
Water-  
Protected

www.tuv.com  
ID 0000040191



### Description

This Digimatic Spline Micrometer makes it easy for you to measure grooves and shaped parts. It offers you the following benefits:

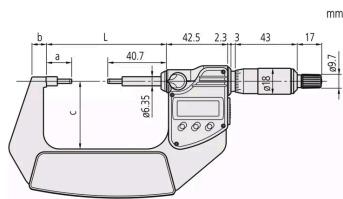
- Anvil and spindle are of small diameter for measuring splined shafts, slots and keyways.
- Excellent resistance against water and dust (IP65 protection level) enables this micrometer to be used in machining situations that include splashing coolant fluid.

### Features

<b>Model:</b>	SPM-50MX
<b>Digital/Analog:</b>	Digital
<b>Inch-Metric:</b>	Metric
<b>Range:</b>	25 - 50 mm
<b>Digital step:</b>	0,001 mm
<b>Max. Permissible Error J MPE:</b>	±2 µm
<b>Delivered:</b>	Including box, spanner, setting standard, 1 SR44 battery
<b>Flatness:</b>	0,3 µm
<b>Parallelism:</b>	2 µm
<b>Display:</b>	LCD, character height 7.5 mm
<b>Measuring face:</b>	Carbide-tipped, micro-lap finish, stepped
<b>Anvil / Spindle:</b>	Type A, D=3 mm

<b>Measuring spindle:</b>	With spindle lock, $\varnothing 6,35$ mm, spindle pitch 0,5 mm
<b>Scale:</b>	Thimble and sleeve satin chrome finish, $\varnothing 18$ mm
<b>Data output:</b>	Yes
<b>Measuring force:</b>	5 - 10 N
<b>Power supply:</b>	1 battery SR-44
<b>Battery life:</b>	Approx. 2.4 years
<b>ORIGIN:</b>	Yes
<b>ABS / INC (INC ZERO):</b>	Yes
<b>Auto Power OFF after 20 min. non use:</b>	Yes
<b>Low voltage alarm:</b>	Yes
<b>Function lock:</b>	Yes
<b>HOLD:</b>	Yes
<b>Mass:</b>	470 g

### Dimensions

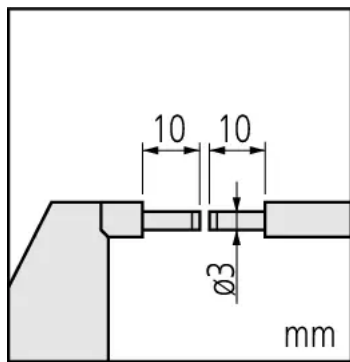


**L:** 83,2 mm

**a:** 17,5 mm

**b:** 10,1 mm

**c:** 47 mm



**L:** 83,2 mm

**a:** 17,5 mm

**b:** 10,1 mm

**c:** 47 mm

### Accessories

Optional accessories:



#### Micrometer Stand, 45° Angle Type

for Micrometer 0-50mm/0-2"

Art No. 156-105-10

Suggested retail price: 58.00 €\*

Promotion!



### Micrometer Stand, Adjustable Angle Type

for Micrometer 0-100mm/0-4"

Art No. 156-101-10

Promo price: **56.00 €\***

Suggested retail price: ~~70.00 €\*~~

Promotion!



### Connection Unit for IP Caliper, Micrometer

with Data Button for U-WAVE fit, U-WAVE fit Bluetooth

Art No. 02AZF310

Promo price: **76.00 €\***

Suggested retail price: ~~110.00 €\*~~

Promotion!



### USB Input Tool Direct (Digimatic to USB)

2m Cable, Digimatic/Digimatic 2, with Data Button IP Micrometer Type

Art No. 06AFM380B

Promo price: **111.00 €\***

Suggested retail price: ~~141.00 €\*~~



### Digimatic Cable with Data Button IP Type

1 m, Micrometer Type

Art No. 05CZA662

Suggested retail price: **105.00 €\***



### Digimatic Cable with Data Button IP Type

2 m, Micrometer Type

Art No. 05CZA663

Suggested retail price: **107.00 €\***

Promotion!



### U-WAVE fit, IP67 Type

Wireless Transmitter for  
Micrometer/Indicator  
Art No. 264-622

Promo price: **129.00 €\***  
Suggested retail price: ~~185.00 €\*~~

Promotion!



### U-WAVE fit, Buzzer Type

Wireless Transmitter for  
Micrometer/Indicator  
Art No. 264-623

Promo price: **129.00 €\***  
Suggested retail price: ~~185.00 €\*~~

Promotion!



### U-WAVE fit Bluetooth, IP67 Type

Wireless Transmitter for  
Micrometer/Indicator  
Art No. 264-626

Promo price: **129.00 €\***  
Suggested retail price: ~~185.00 €\*~~

Promotion!



### U-WAVE fit Bluetooth, Buzzer Type

Wireless Transmitter for  
Micrometer/Indicator  
Art No. 264-627

Promo price: **129.00 €\***  
Suggested retail price: ~~185.00 €\*~~

Standard accessories:



### Micrometer Setting Standard

Length: 25mm  
Art No. 167-101  
Suggested retail price: 33.00 €\*

**Spare parts**

Consumable spares:

---



**Battery SR44 1,5 V**

Art No. 938882

Suggested retail price: 7.00 €\*  

---