

## Fixture for Micrometer Head, Plain Stem

Item number: 303573

### Images

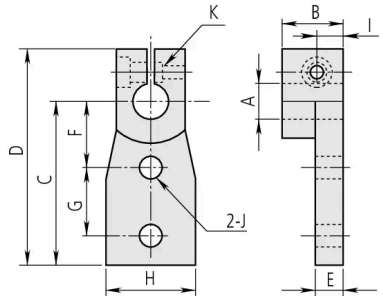


### Description

Mitutoyo offers various types of fixture designed for micrometer heads, which you can use for a wide range of applications, that have the following benefits:

- These fixtures are high quality and durable, manufactured from nickel-plated cast iron.
- Two types of fixture for micrometer heads are available, depending on whether the head has a plain stem or is a clamp nut type.

### Dimensions



- A:** 9.5 mm
- B:** 14.5 mm
- C:** 40 mm
- D:** 52.5 mm
- E:** 6 mm
- F:** 18 mm
- G:** 15 mm
- H:** 20 mm
- I:** 7.25 mm
- J:** 4.5 mm
- K:** M3x0.5 mm